

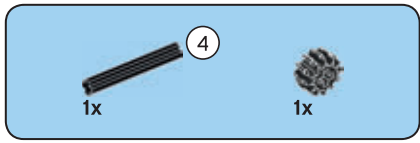


TECHNIC™

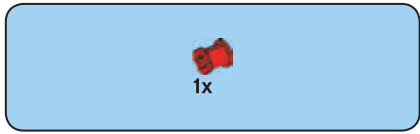
42102



CLAAS

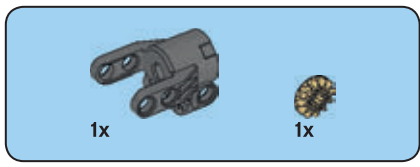


1

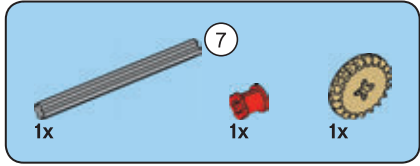
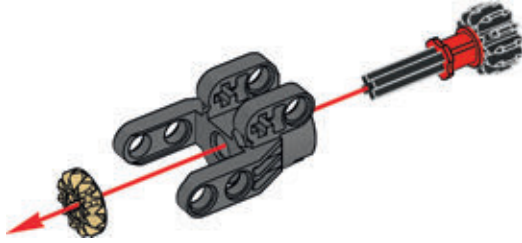


2

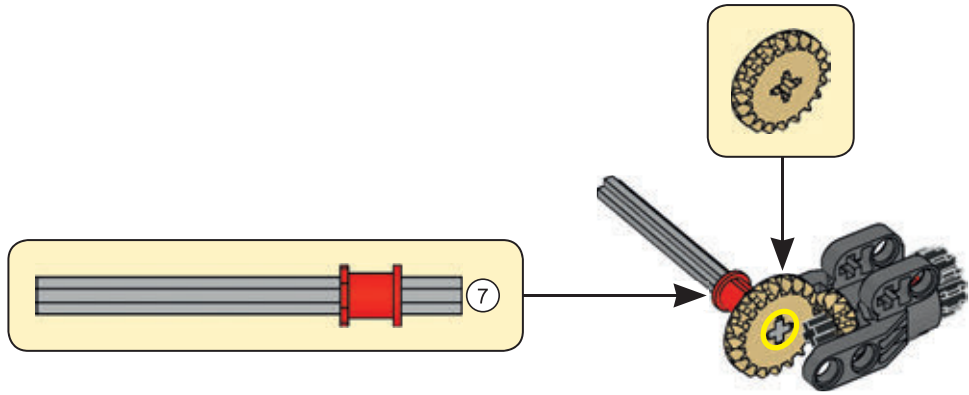




3



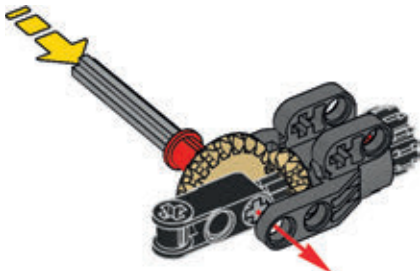
4



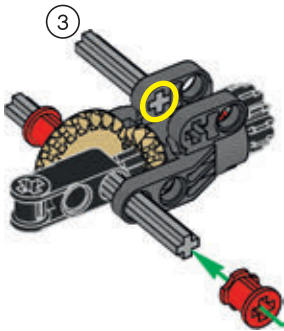
3

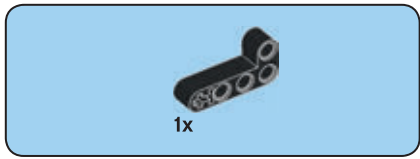


5

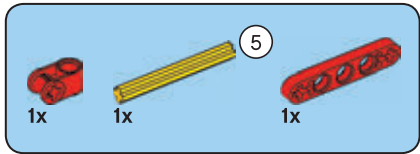
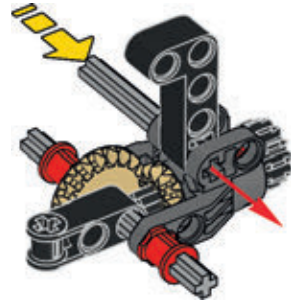


6

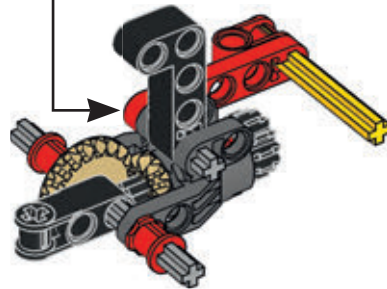
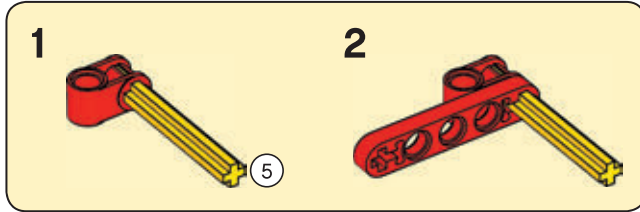




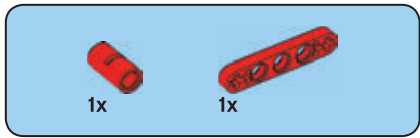
7



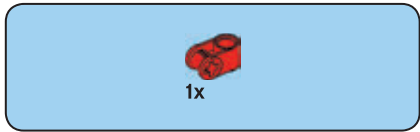
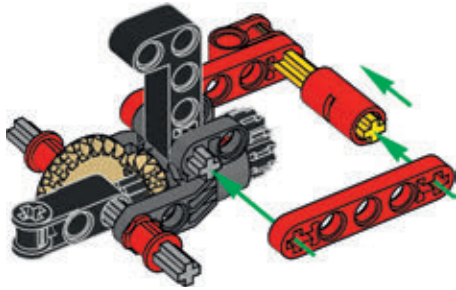
8



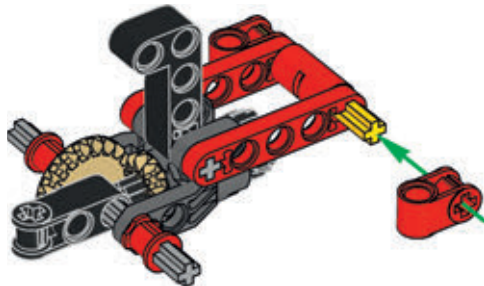
5

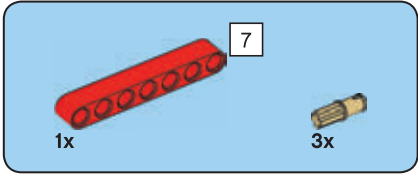
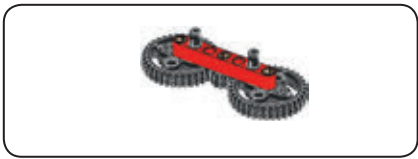


9

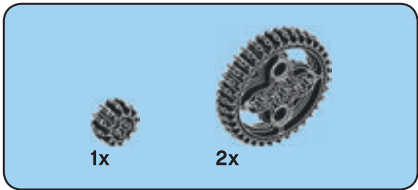
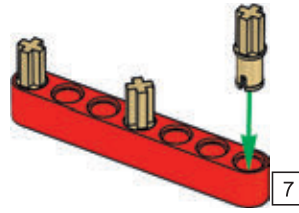


10

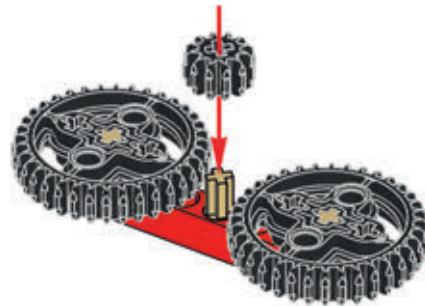




11



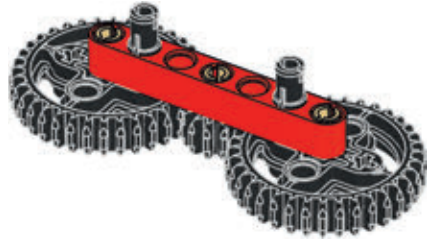
12



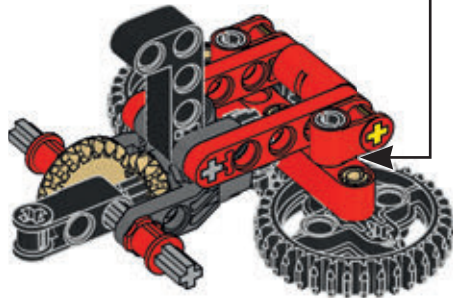


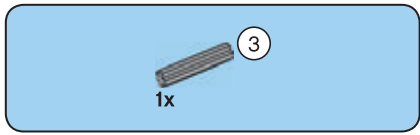
2x

13

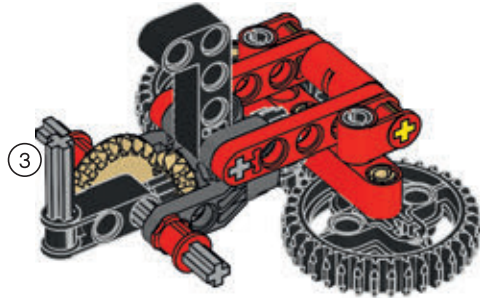


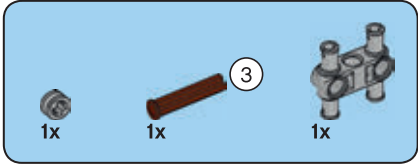
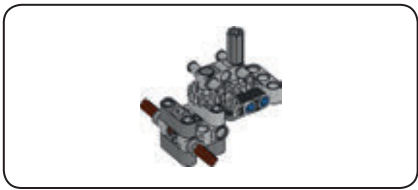
14



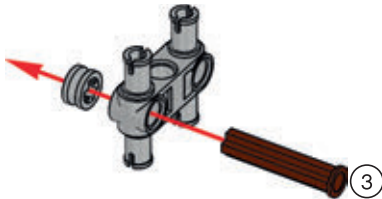


15

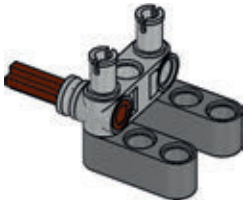


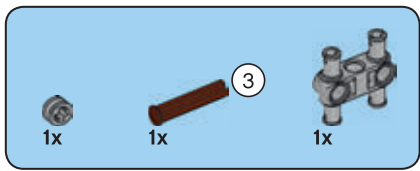


16

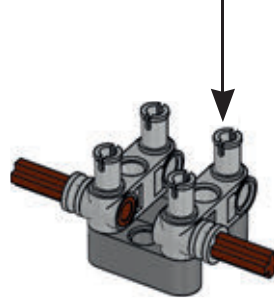
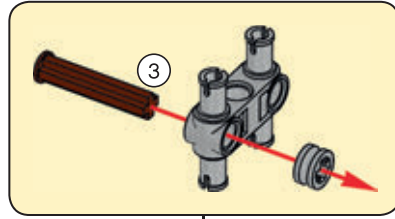


17

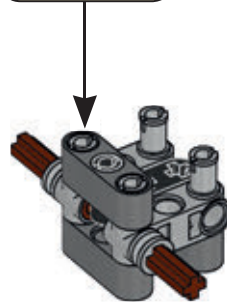
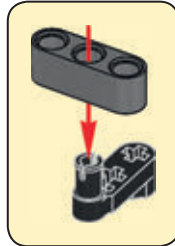


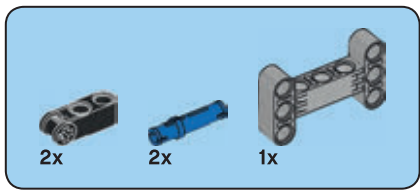


18

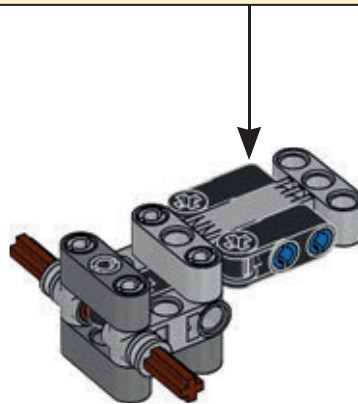
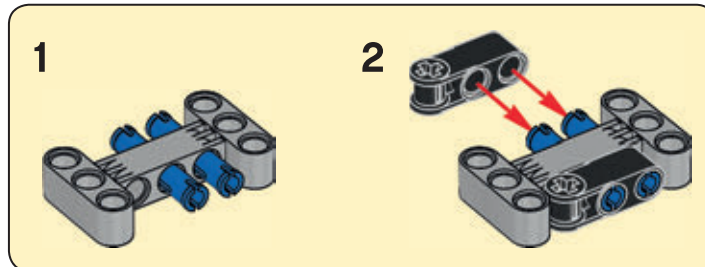


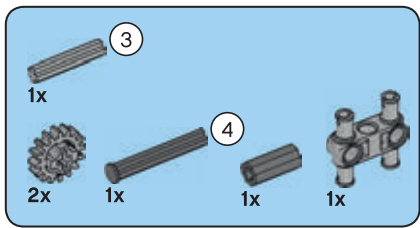
19



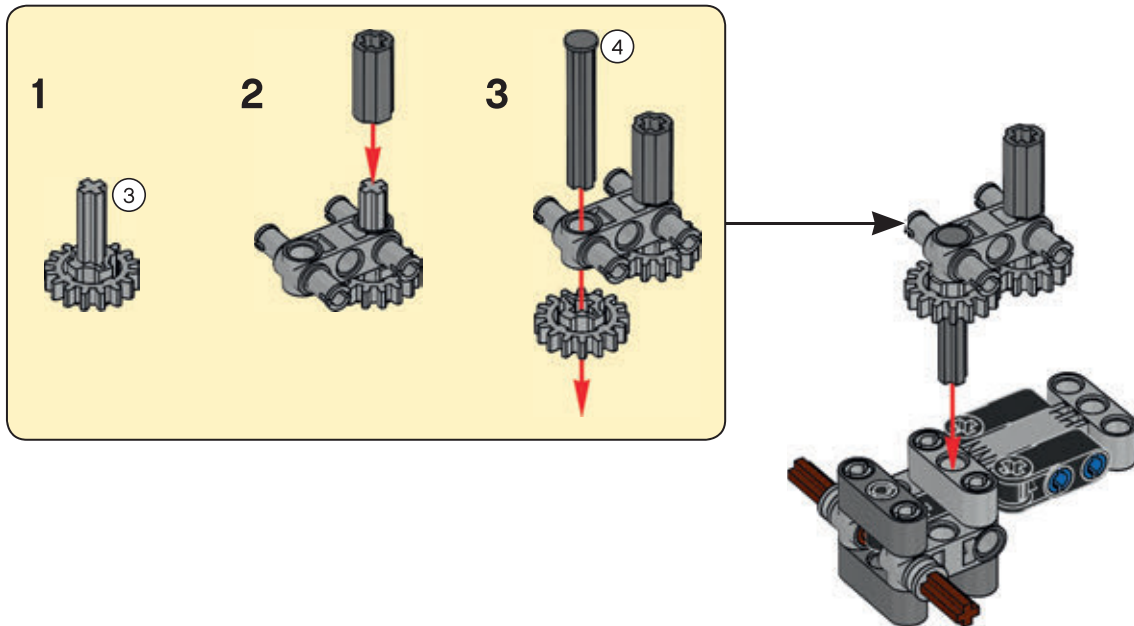


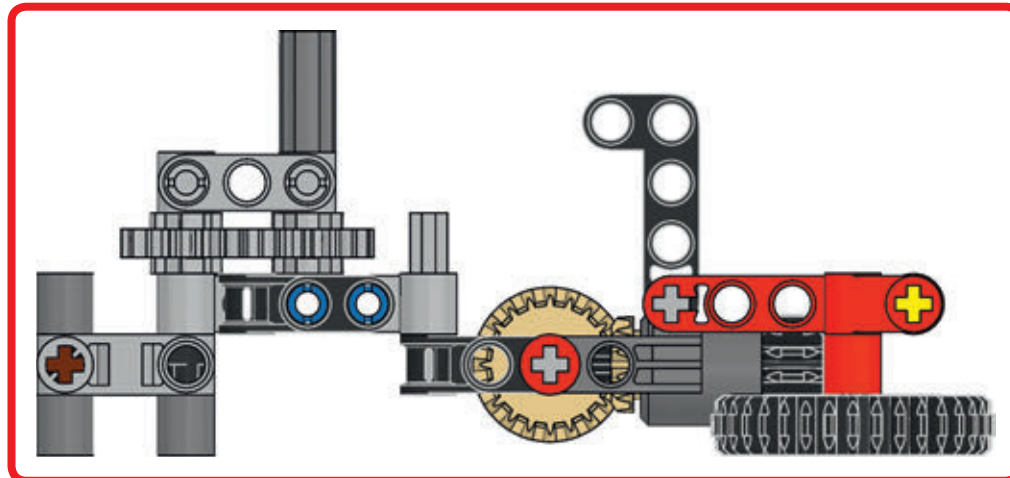
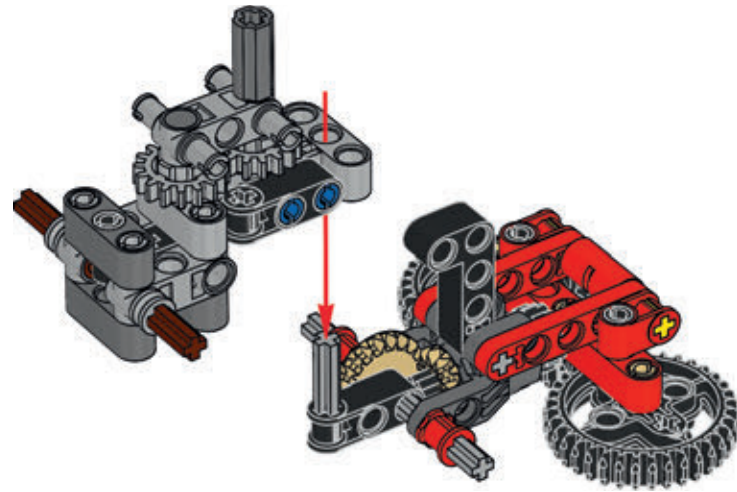
20





21

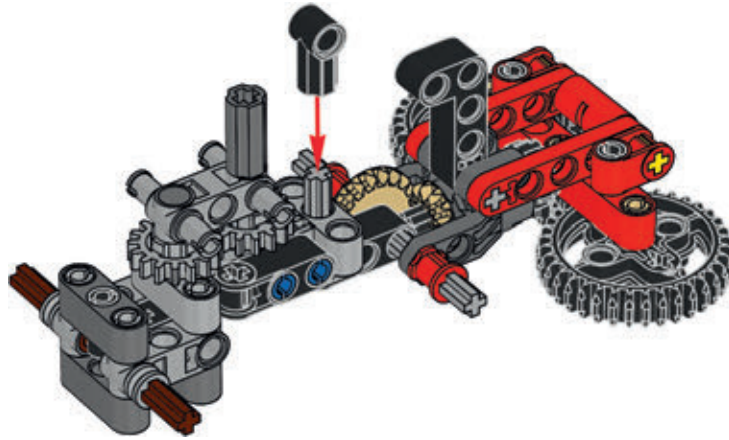






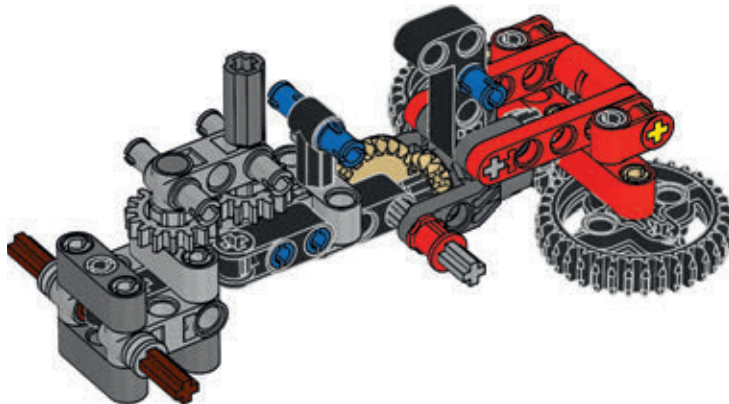
1x

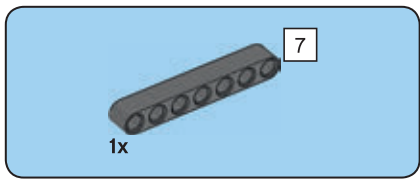
23



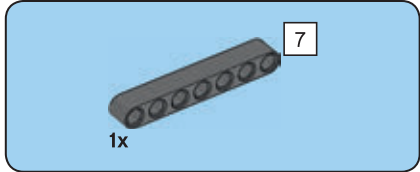
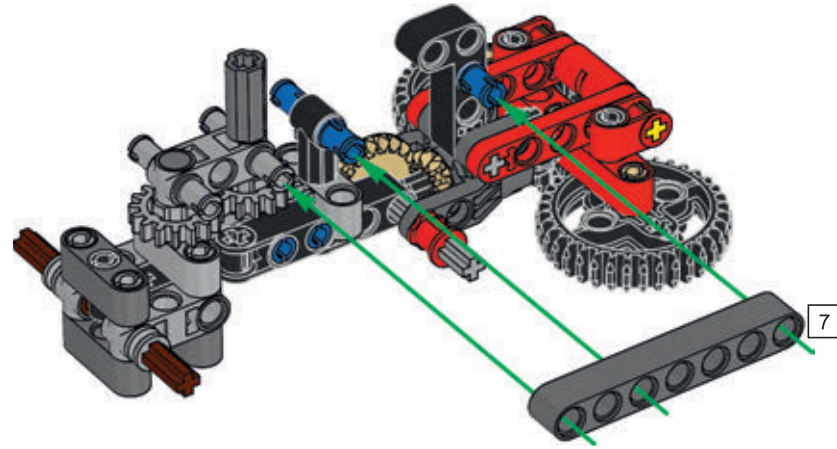
2x

24

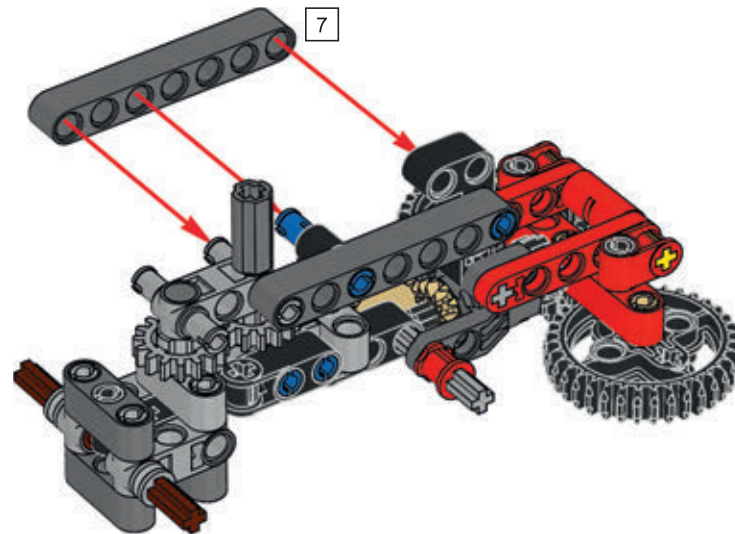




25

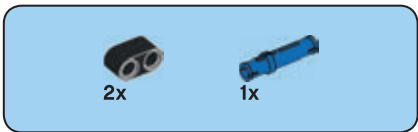
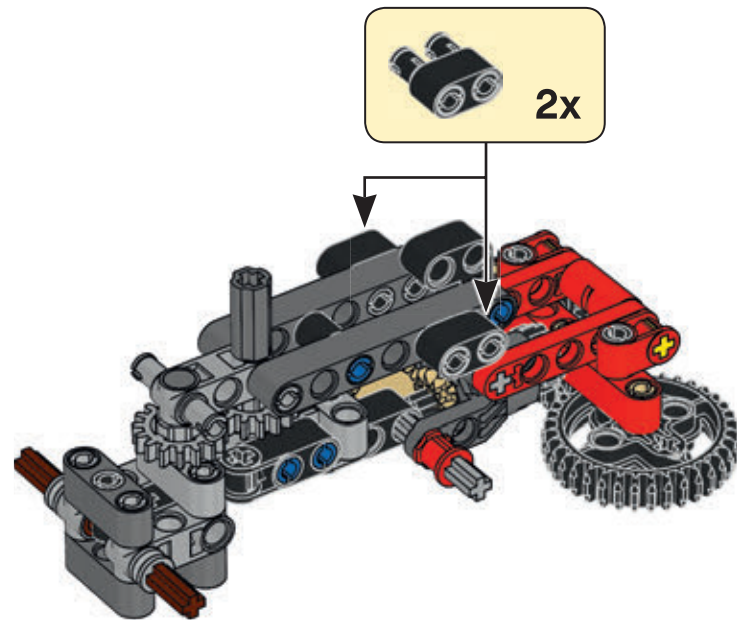


26

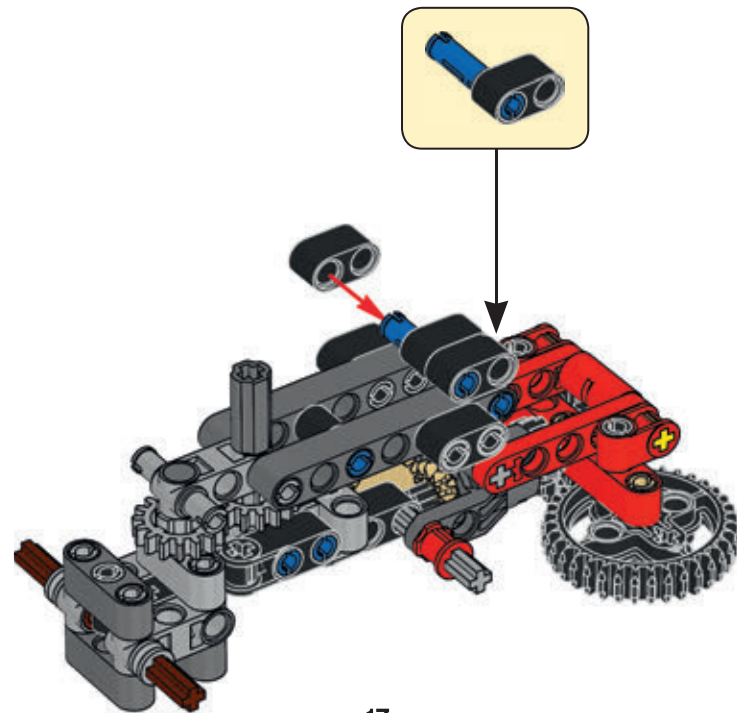


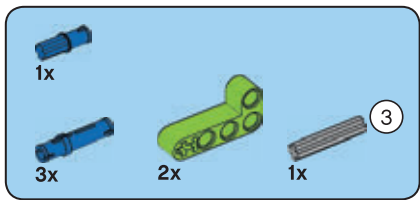


27

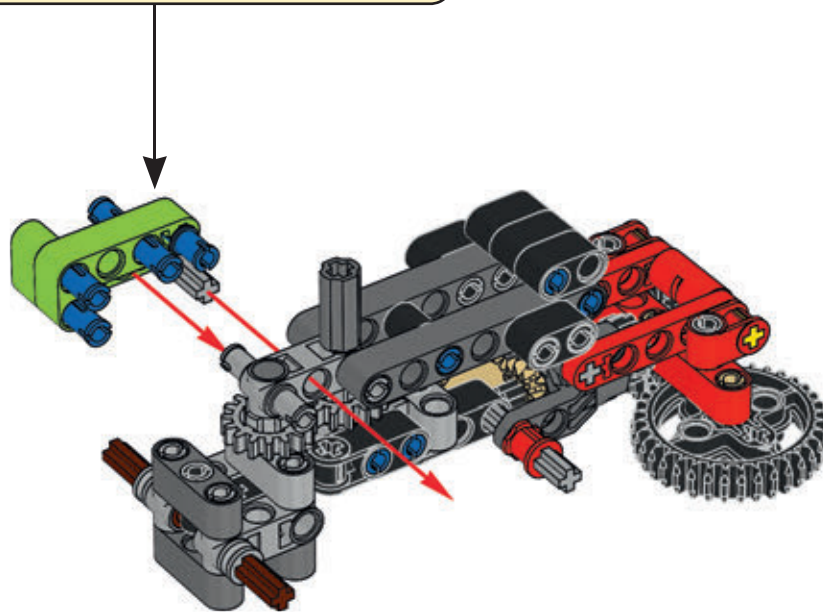
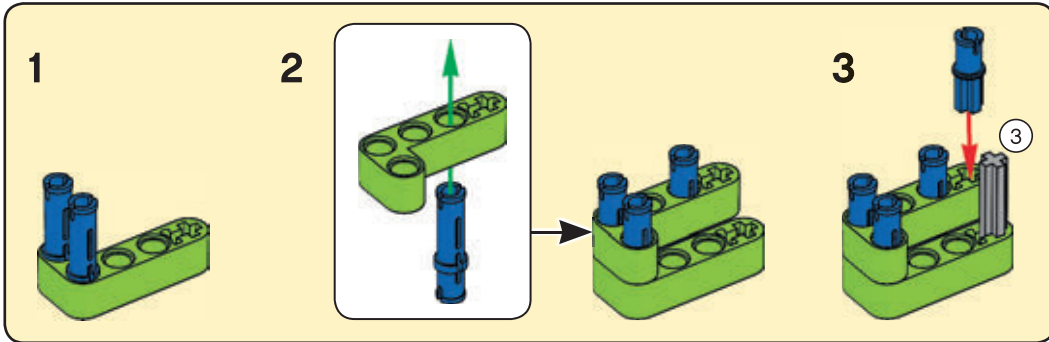


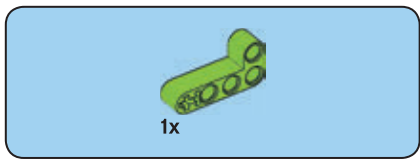
28



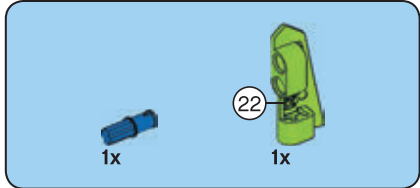
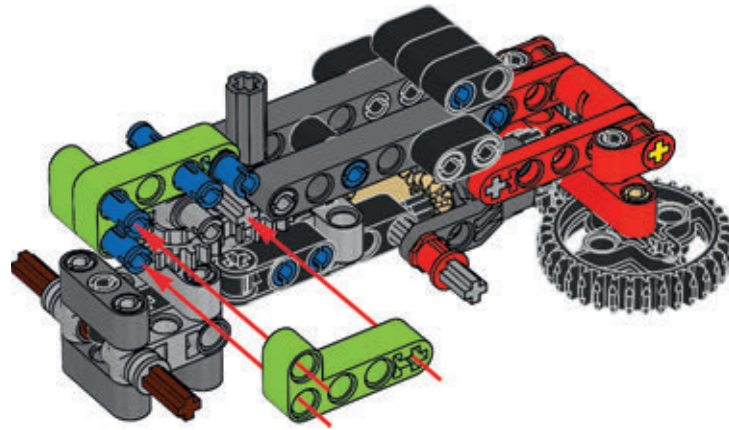


29

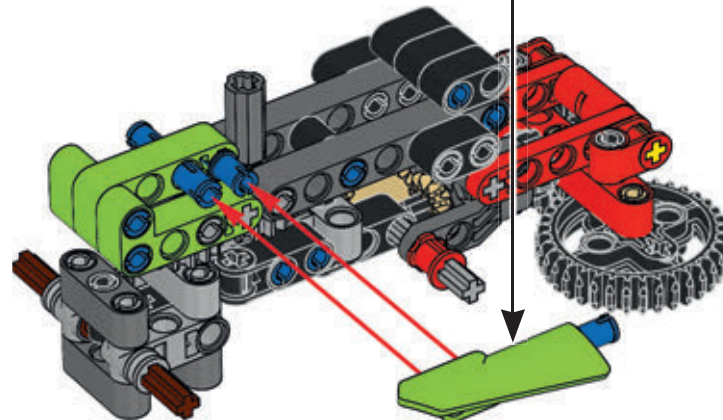
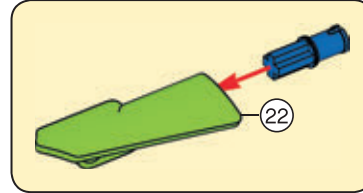


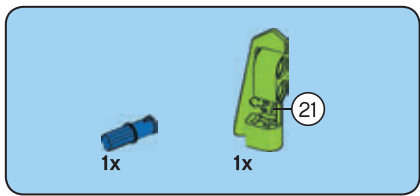


30

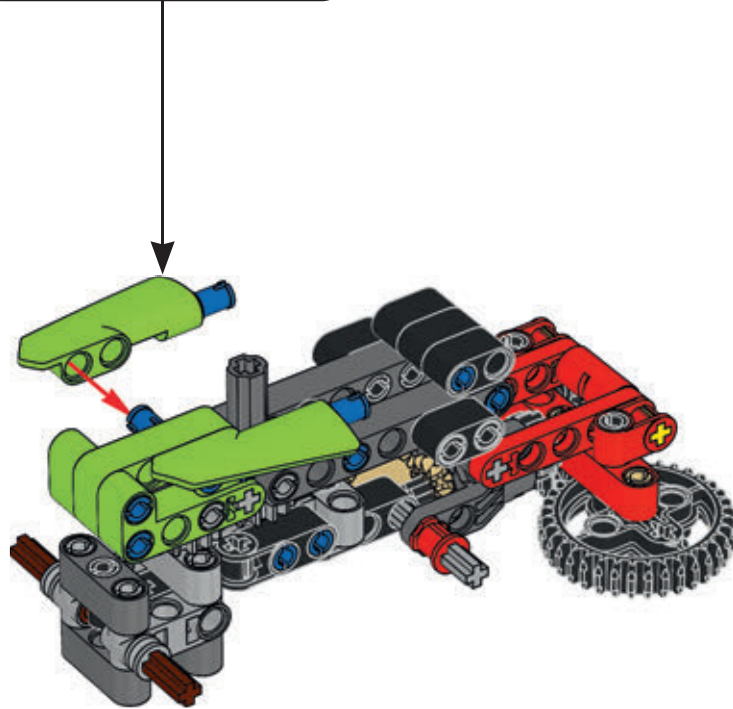
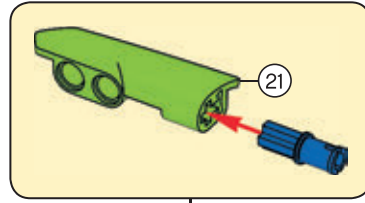


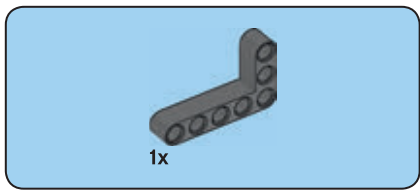
31



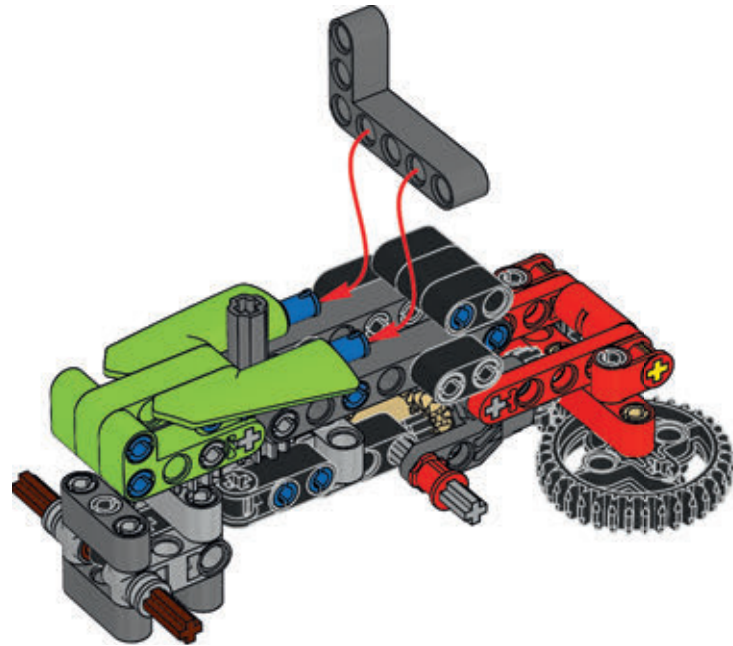


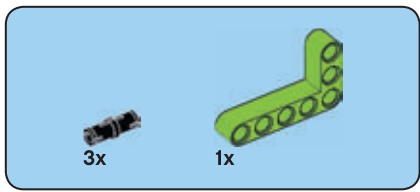
32



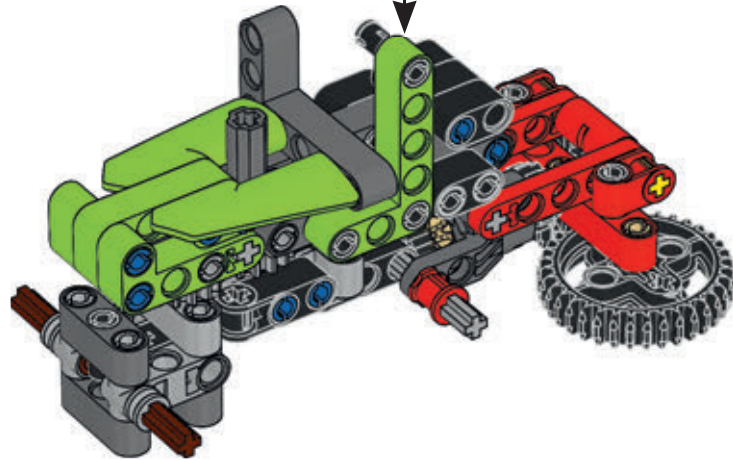
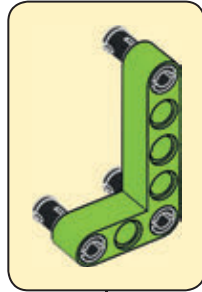


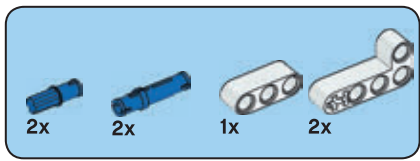
33



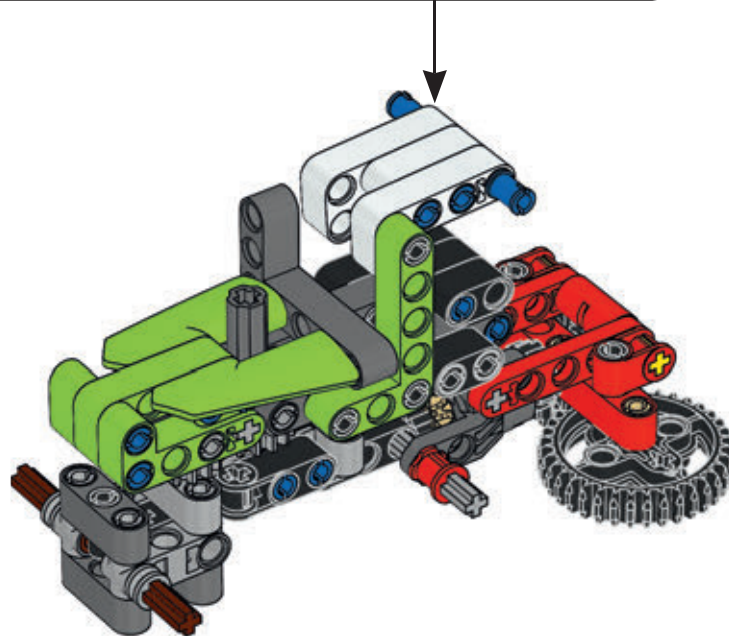
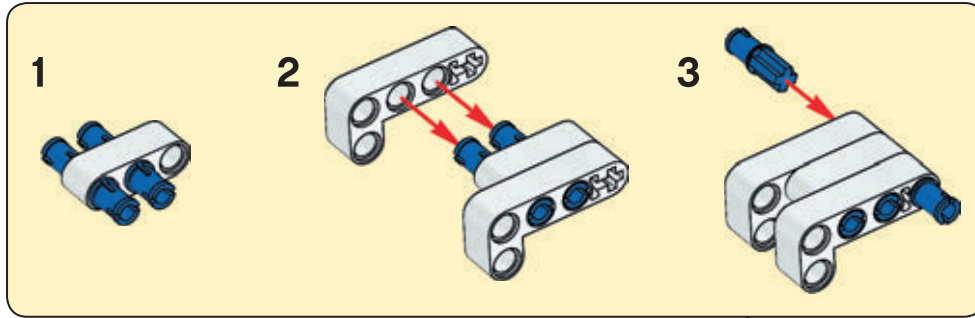


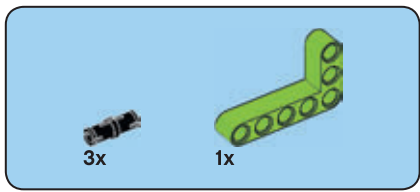
34



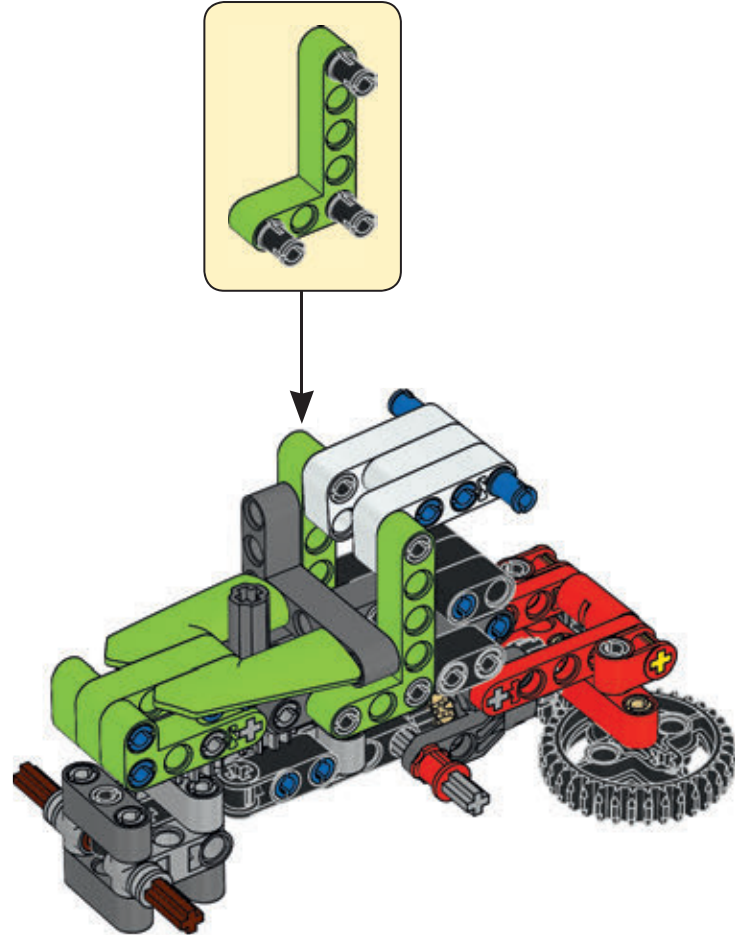


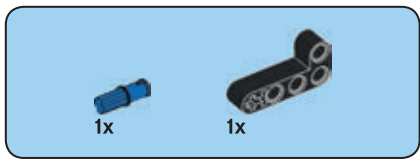
35



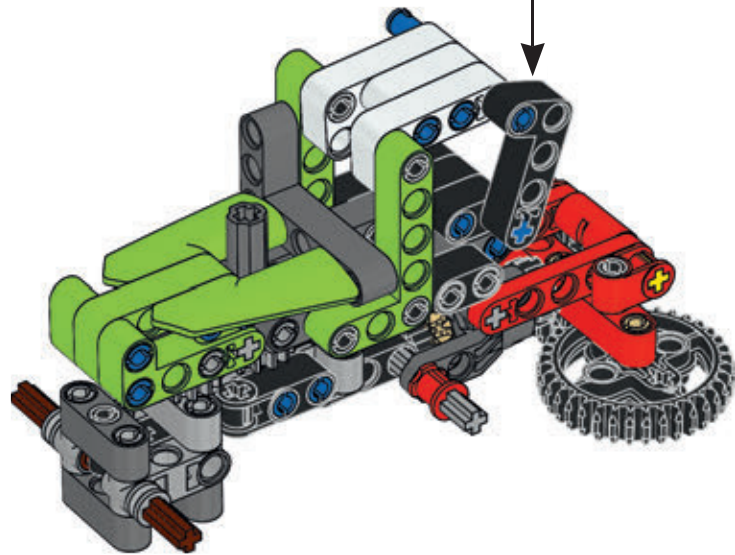
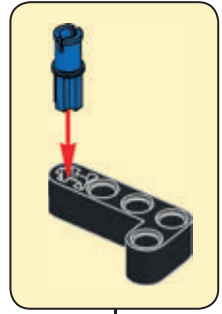


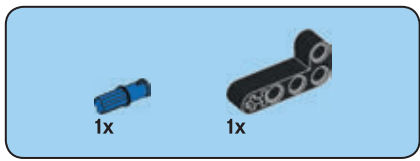
36



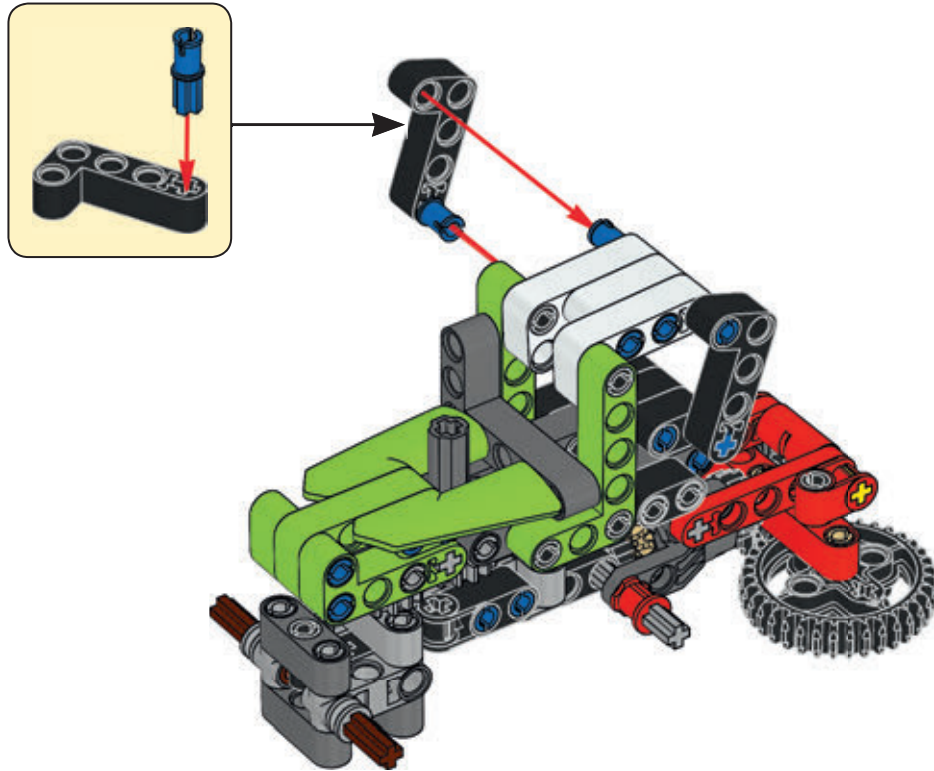


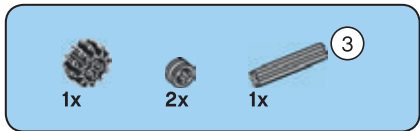
37



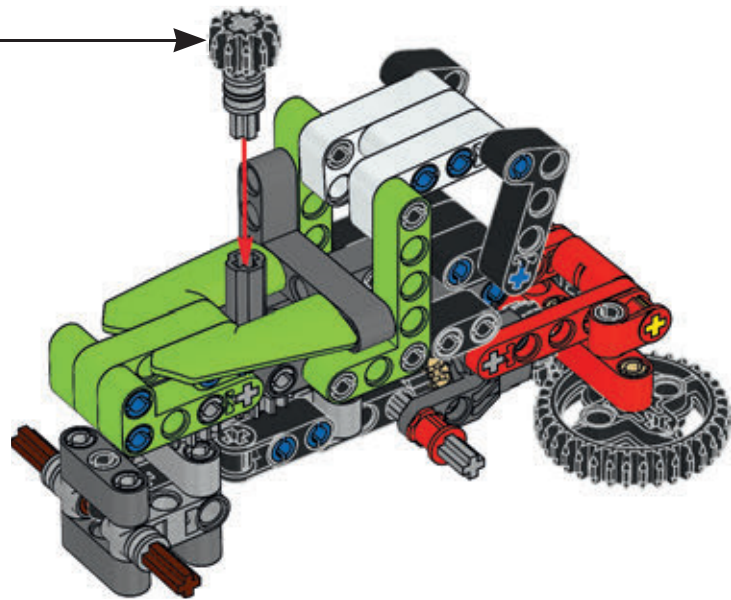
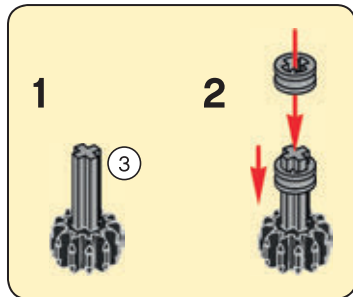


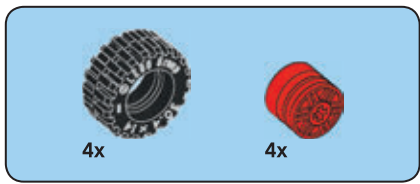
38



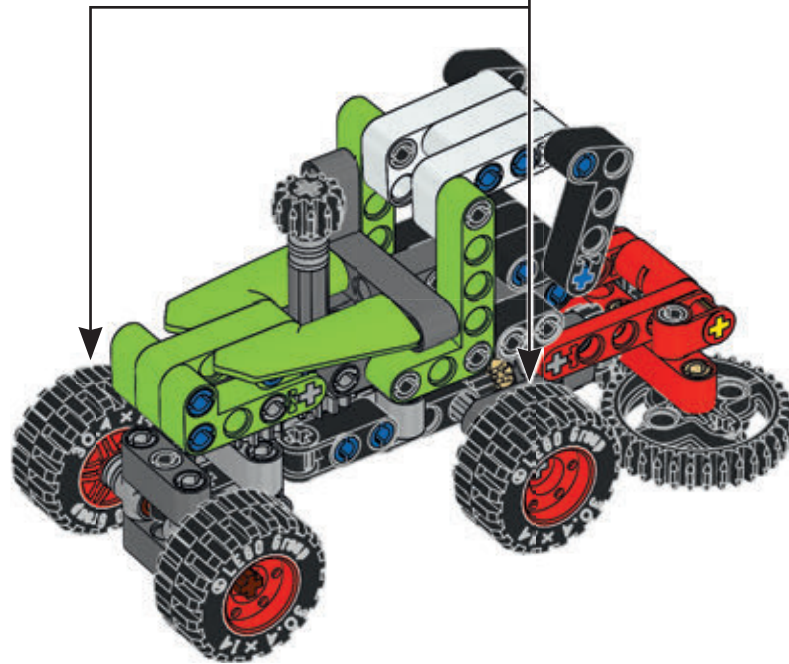
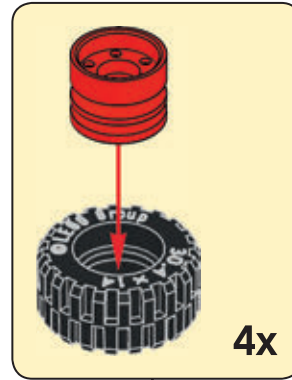


39





40





TECHNIC



LEGO and the LEGO logo are trademarks of the/son des marques de commerce du/son marcas registradas de LEGO Group. ©2020 The LEGO Group.

The trademarks CLAAS, XERION and the corresponding colour trademarks are owned by CLAAS KGaA mbH. They are used by LEGO System A/S under license.