



# TECHNIC

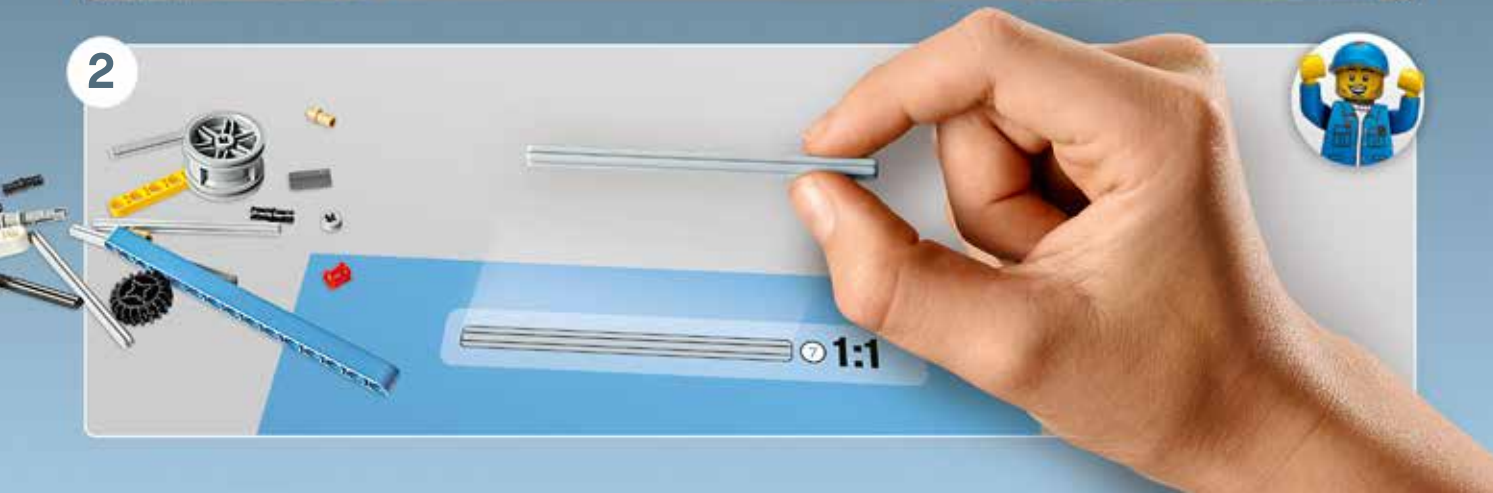
42045



1



2



1

LEGO.com/building-app



2



3



Google Play is a trademark of Google Inc.  
Google Play est une marque de commerce de Google Inc.  
Google Play es una marca comercial de Google Inc.

Apple, the Apple logo, iPad, iPhone and iPod touch are trademarks of Apple Inc.  
Apple, le logo Apple, iPad, iPhone et iPod touch sont des marques de commerce d'Apple Inc.  
Apple, el logotipo de Apple, iPad, iPhone e iPod touch son marcas comerciales de Apple Inc.

**LEGO** **TECHNIC**



LEGO®  
Building  
Instructions

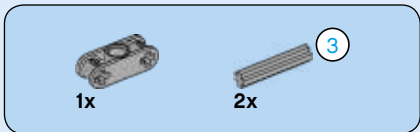


ANDROID APP ON  
Google play

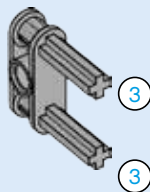
Download on the  
App Store



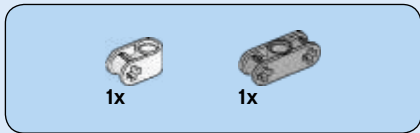
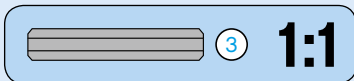
 [LEGO.com/technic](http://LEGO.com/technic)



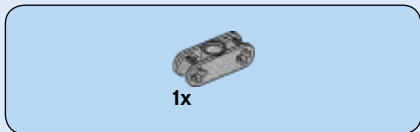
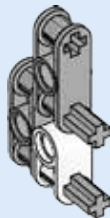
1



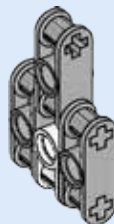
4

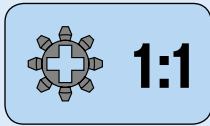
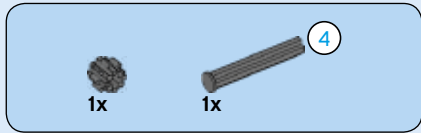


2

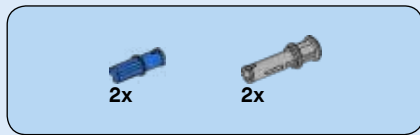
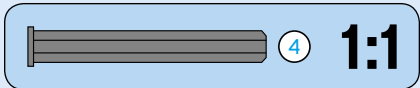
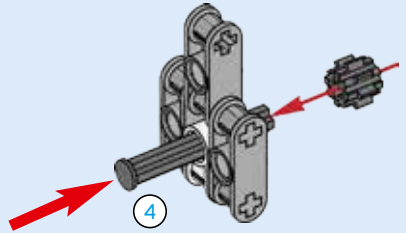


3

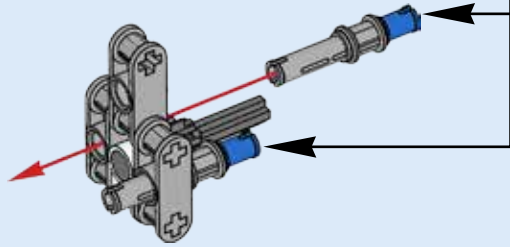
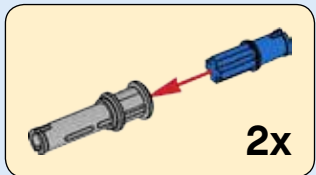


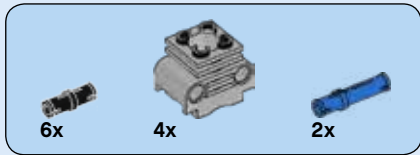
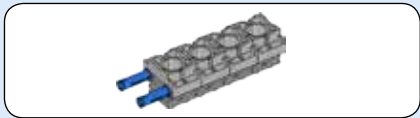


4



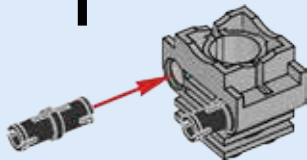
5



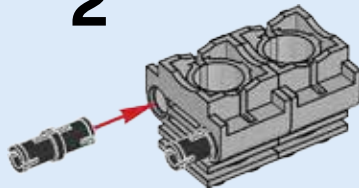


# 6

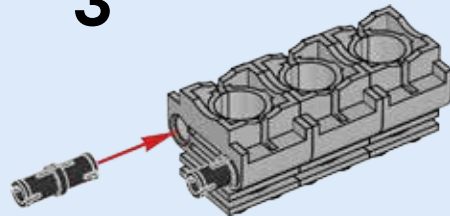
1



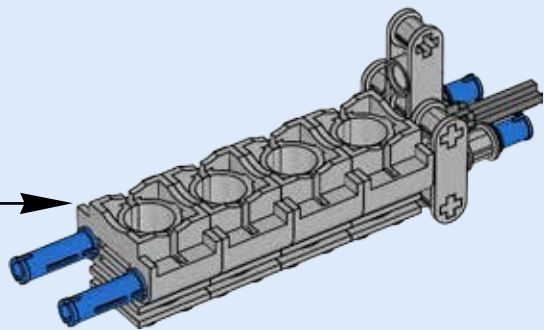
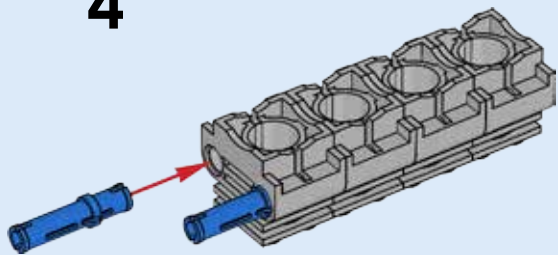
2

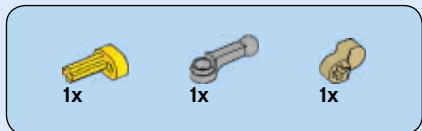
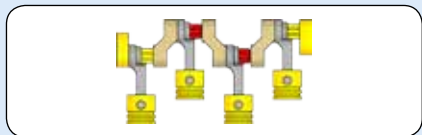


3

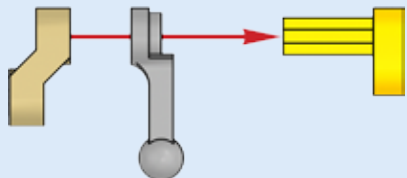


4

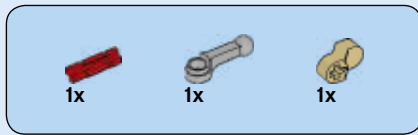




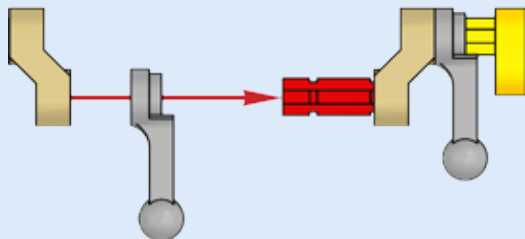
7



8



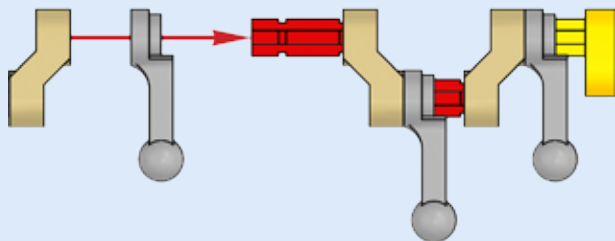
8



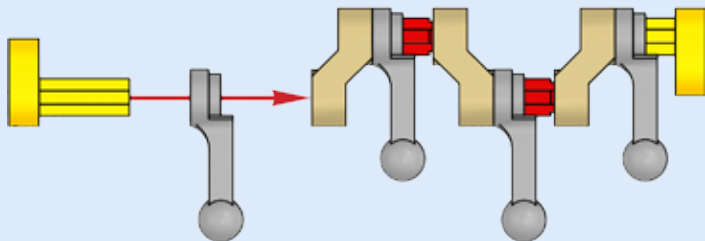




9



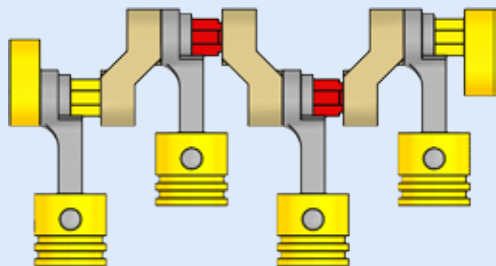
10



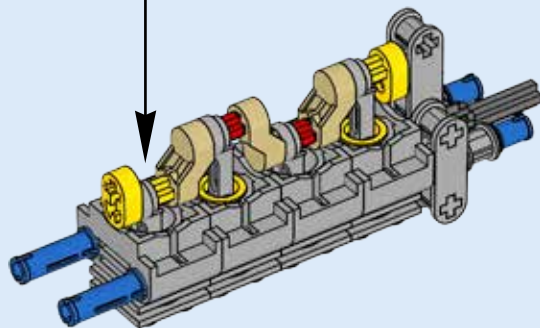


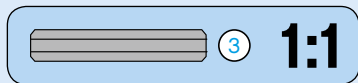
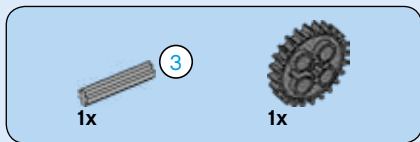
4x

11

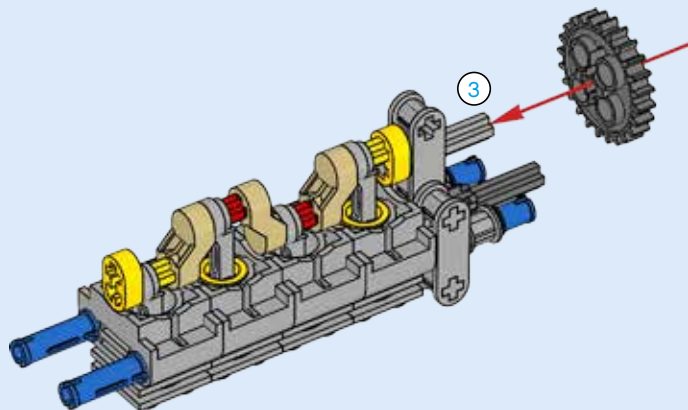


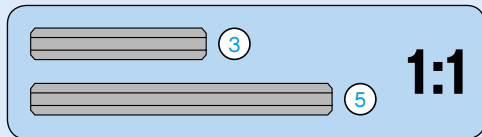
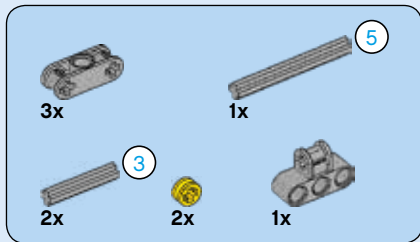
12



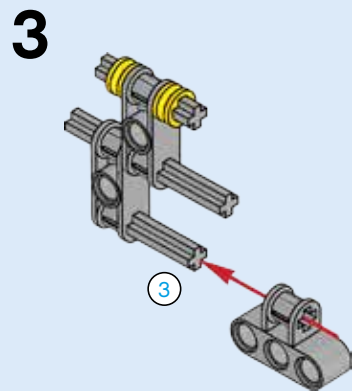
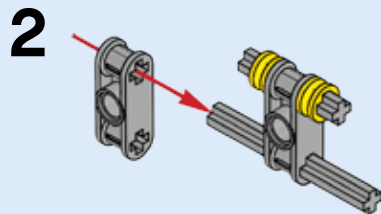
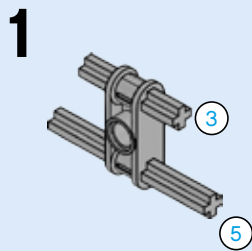


13

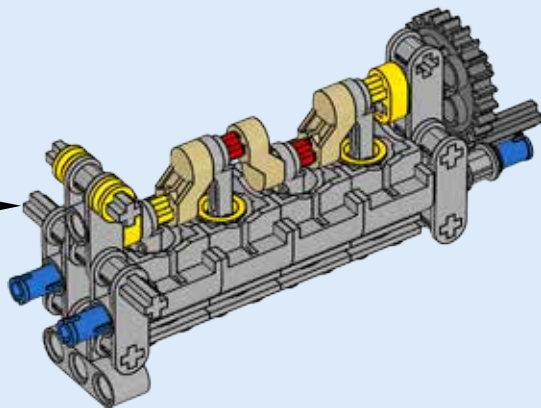
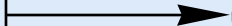
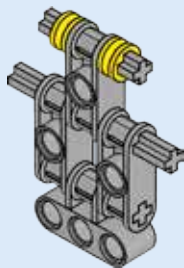


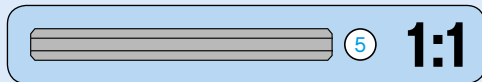
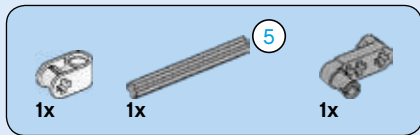


# 14

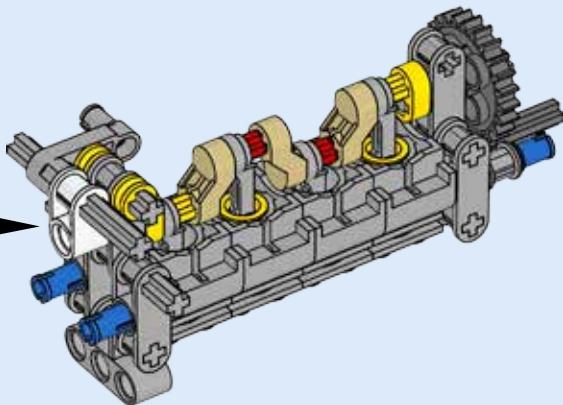
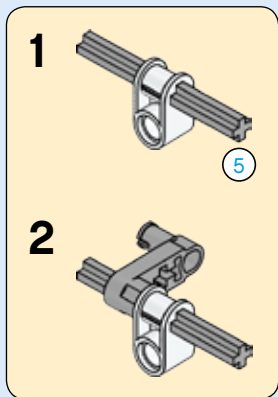


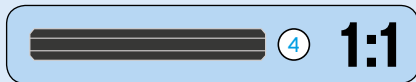
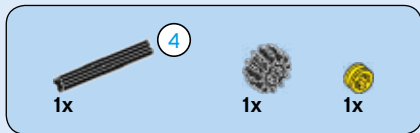
4



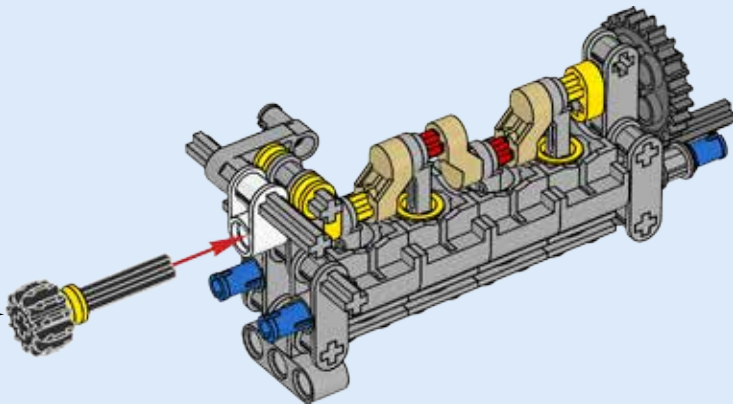
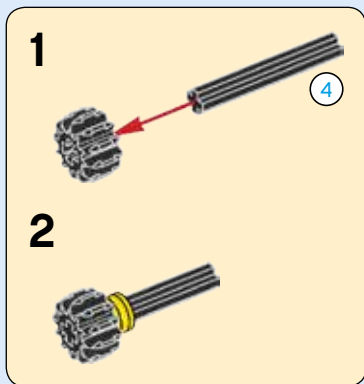


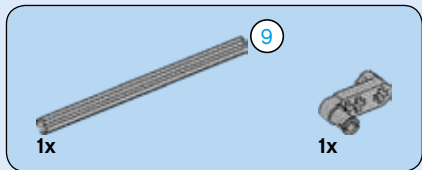
# 15



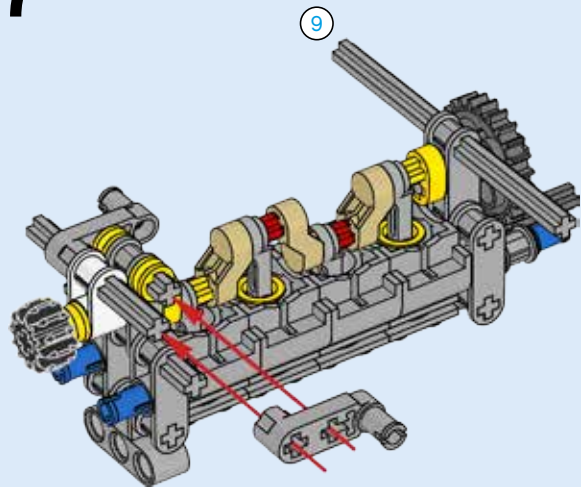


# 16

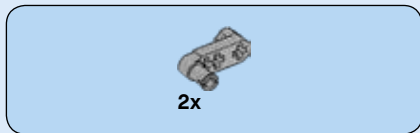
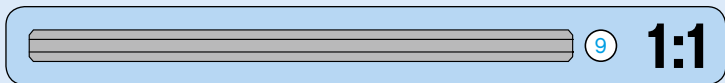




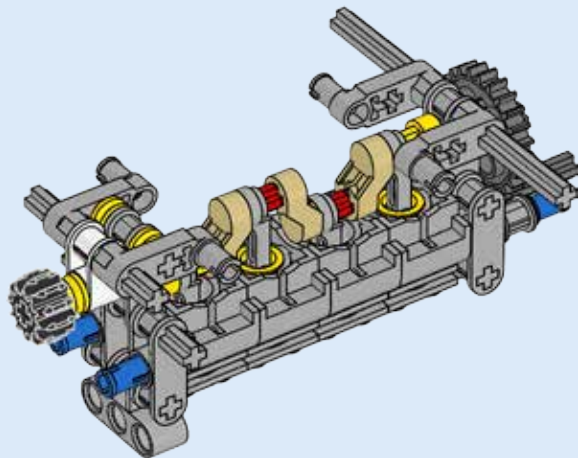
17



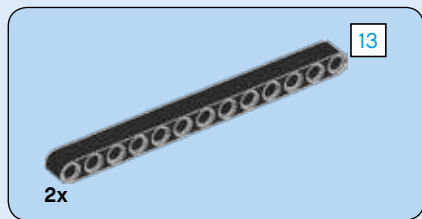
16



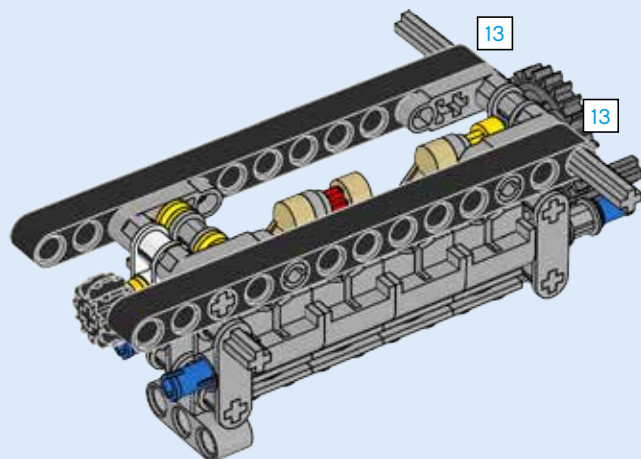
18

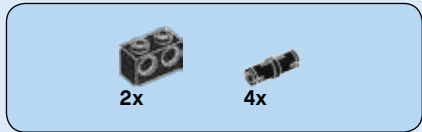




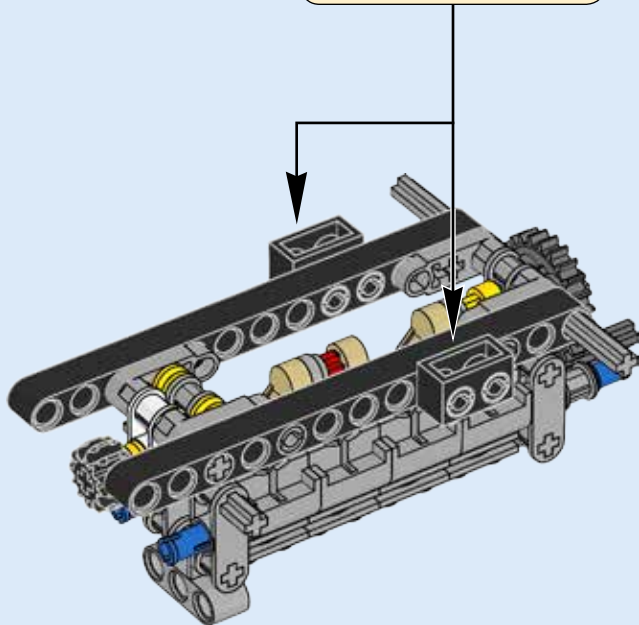
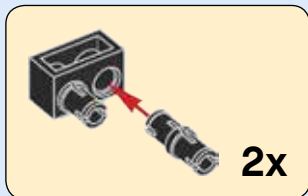


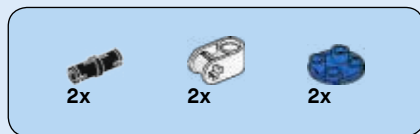
19



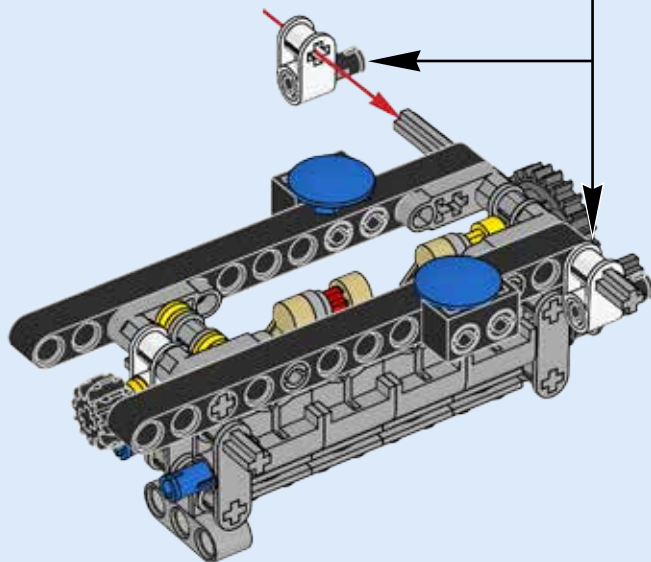
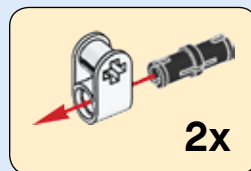


20





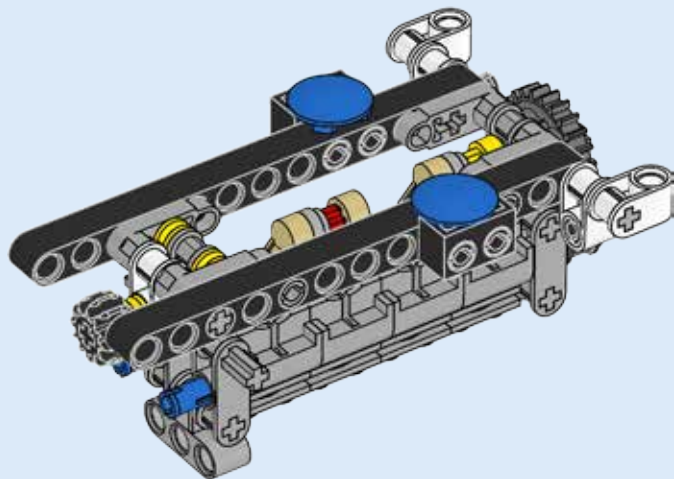
# 21

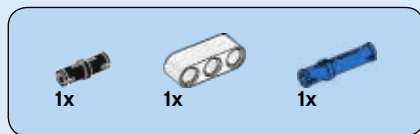




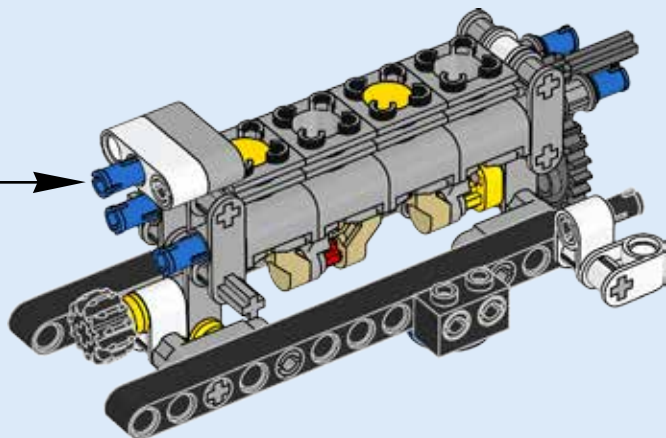
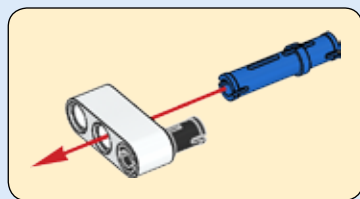
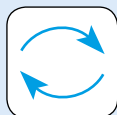
2x

22



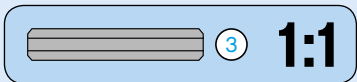
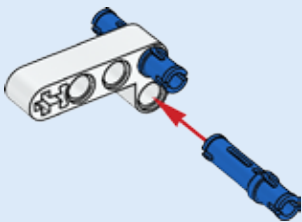


# 23

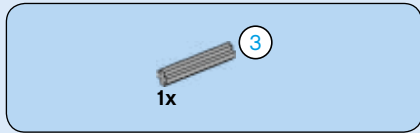




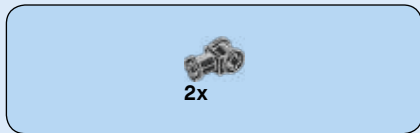
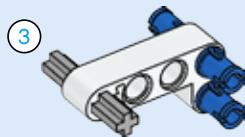
24



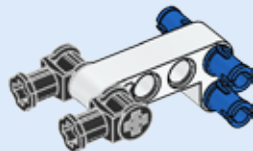
22

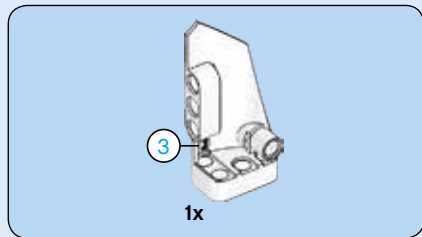


25

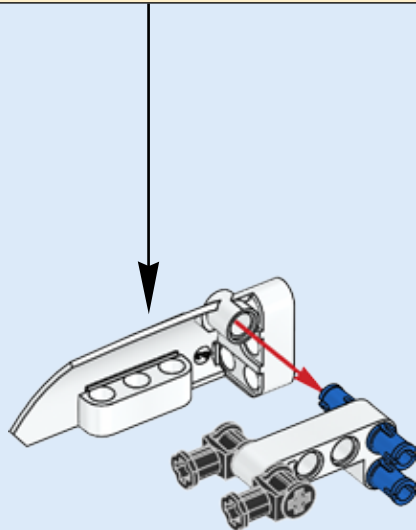
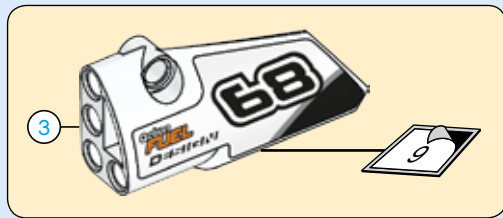


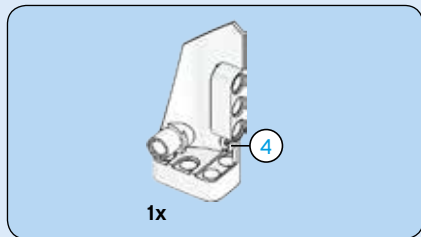
26



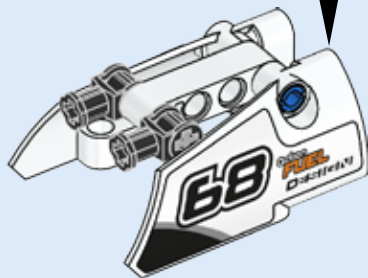
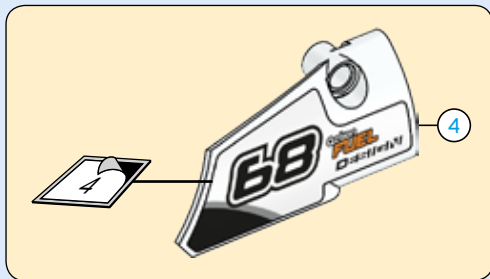


27



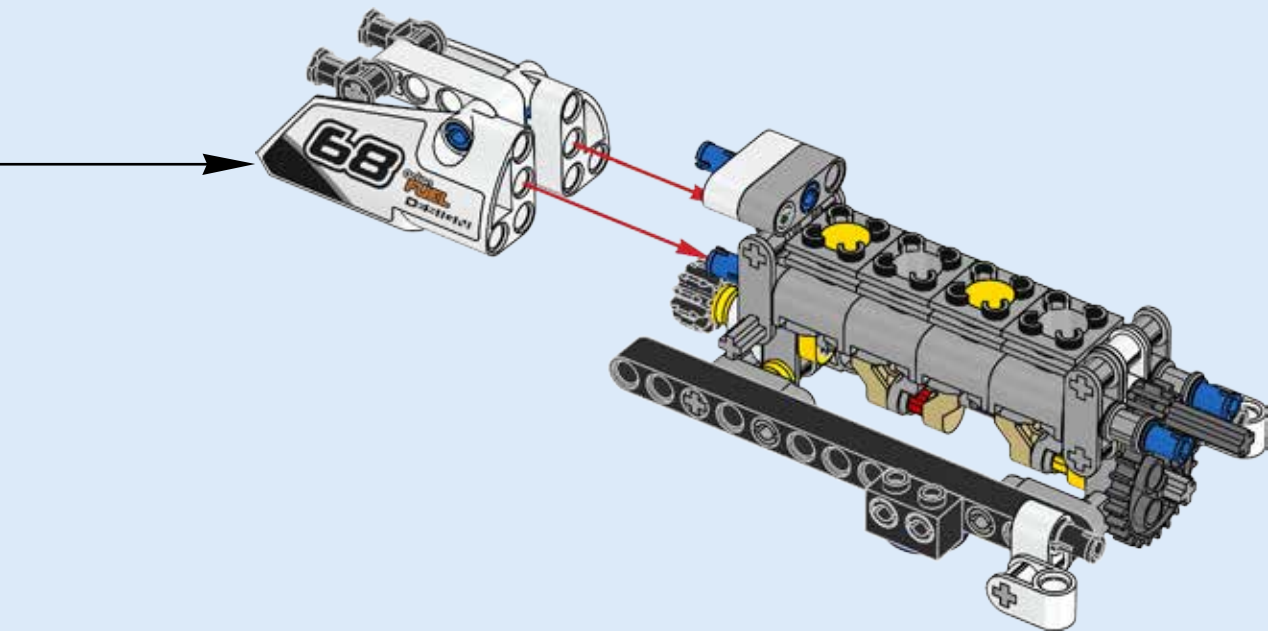


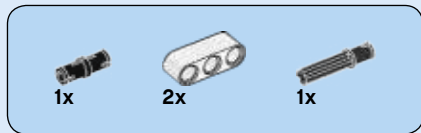
28



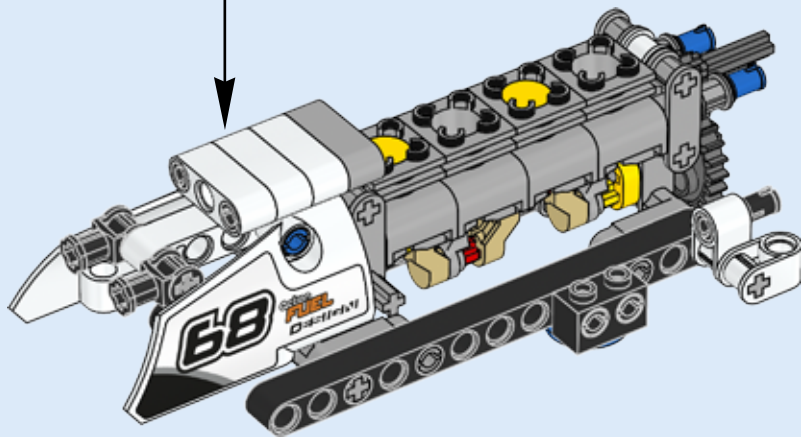
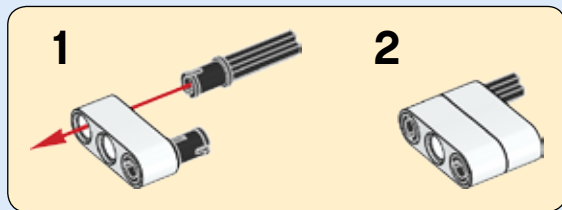


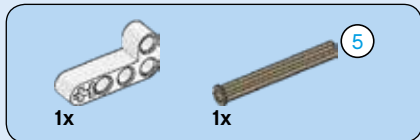
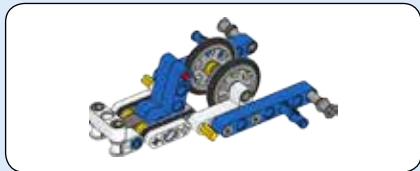
29



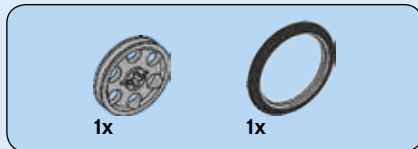
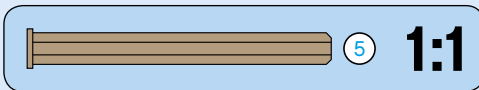
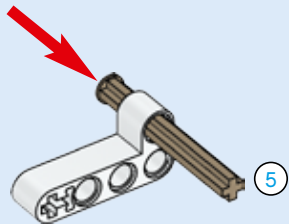


30

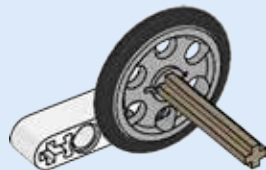




31



32



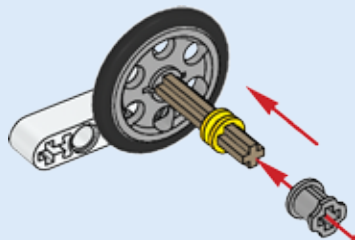


1x



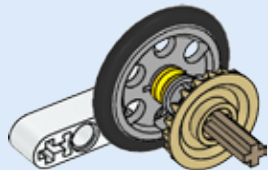
1x

# 33



1x

# 34

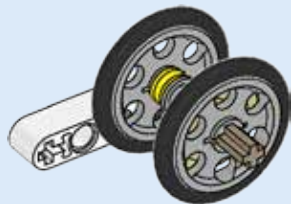


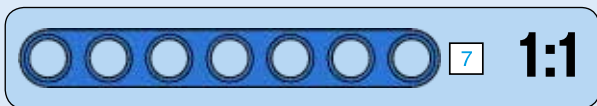
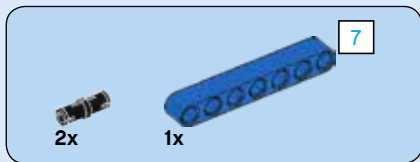
1x



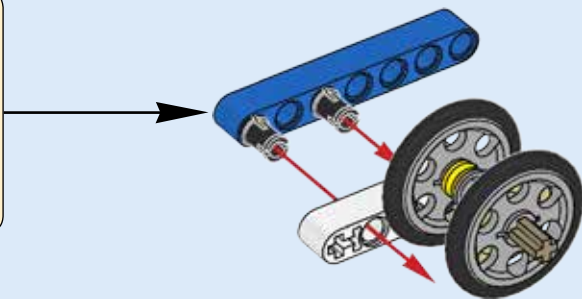
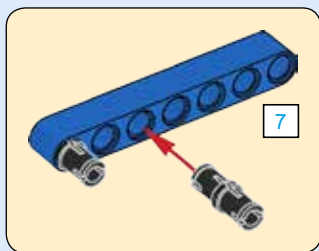
1x

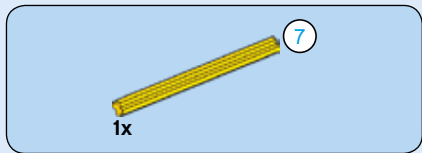
# 35



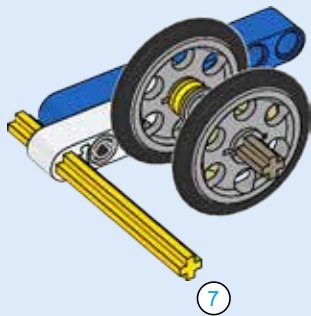


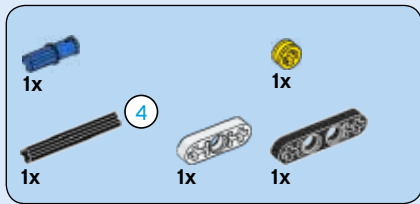
# 36



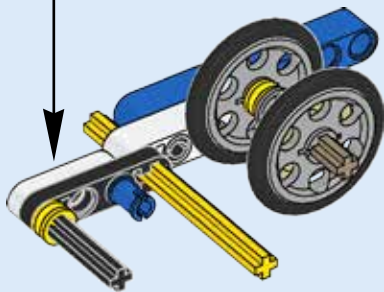
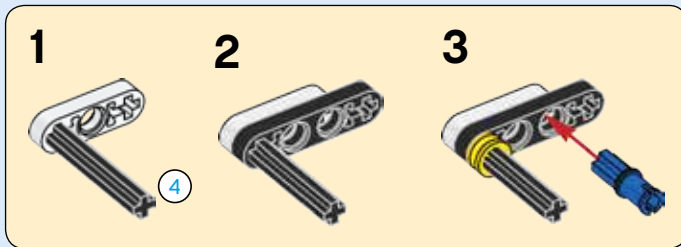
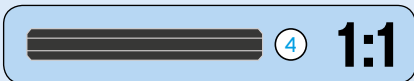


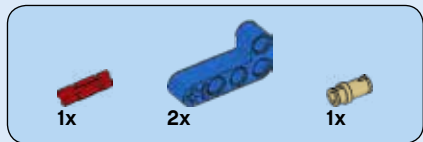
37



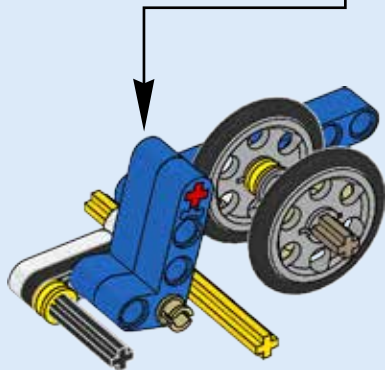
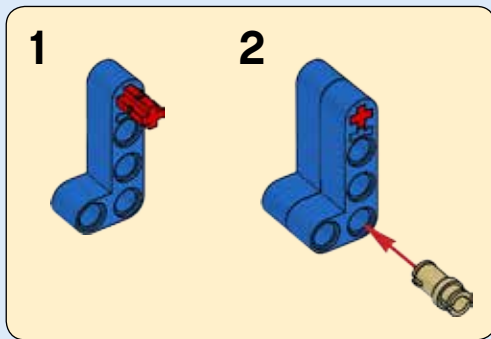


# 38

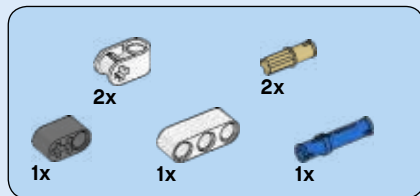




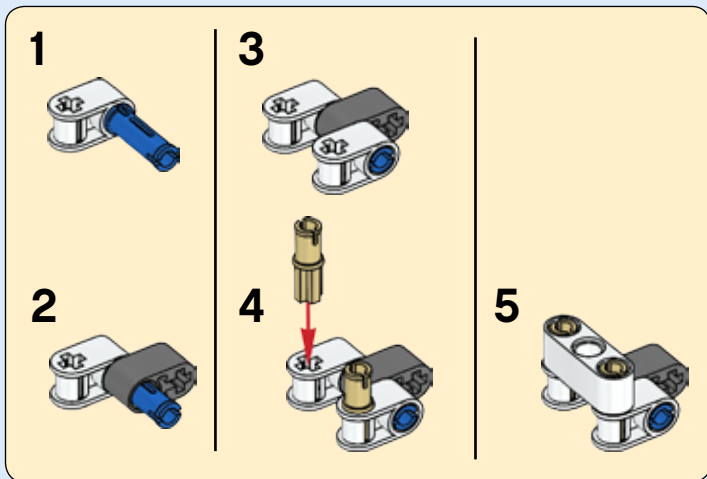
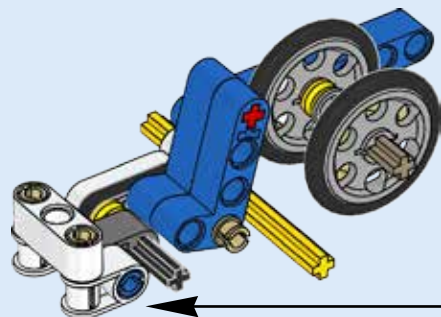
39







40



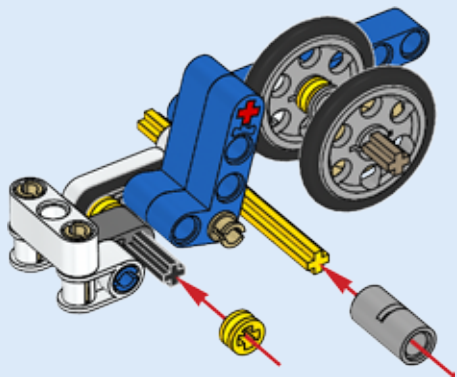


1x



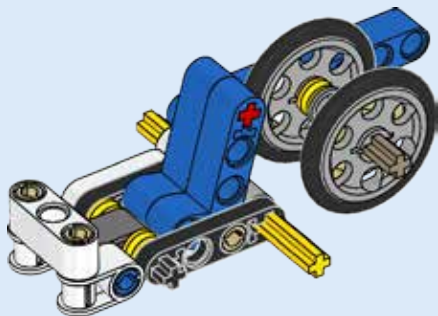
1x

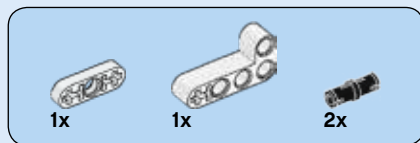
# 41



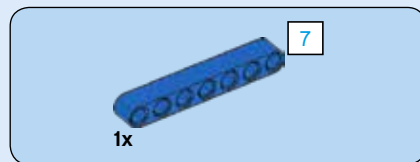
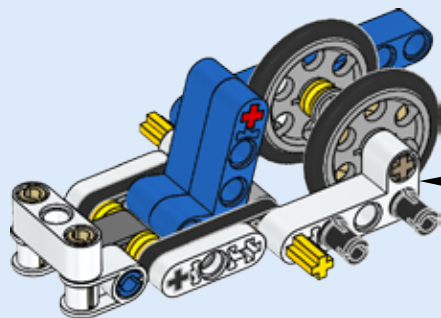
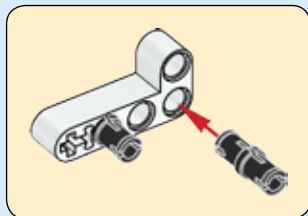
1x

# 42

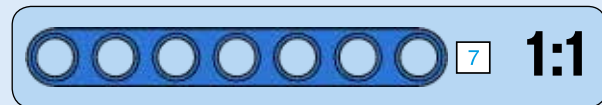
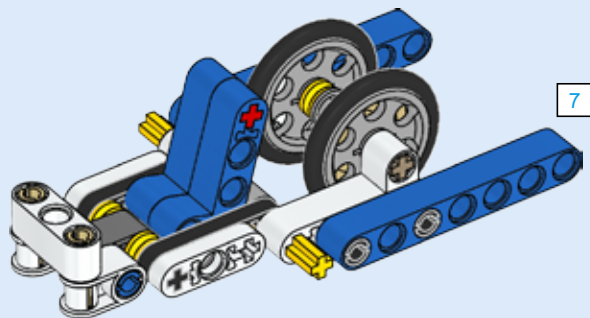




# 43



# 44



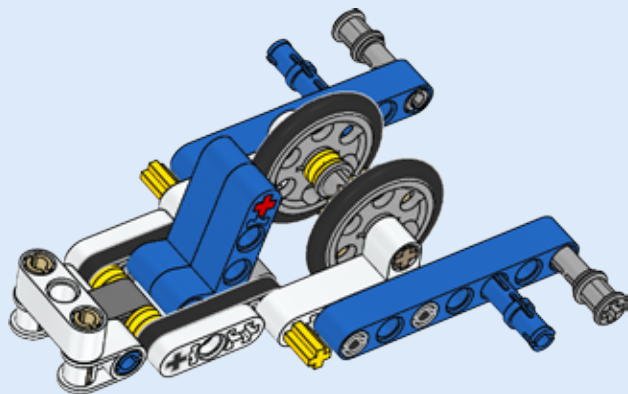


2x

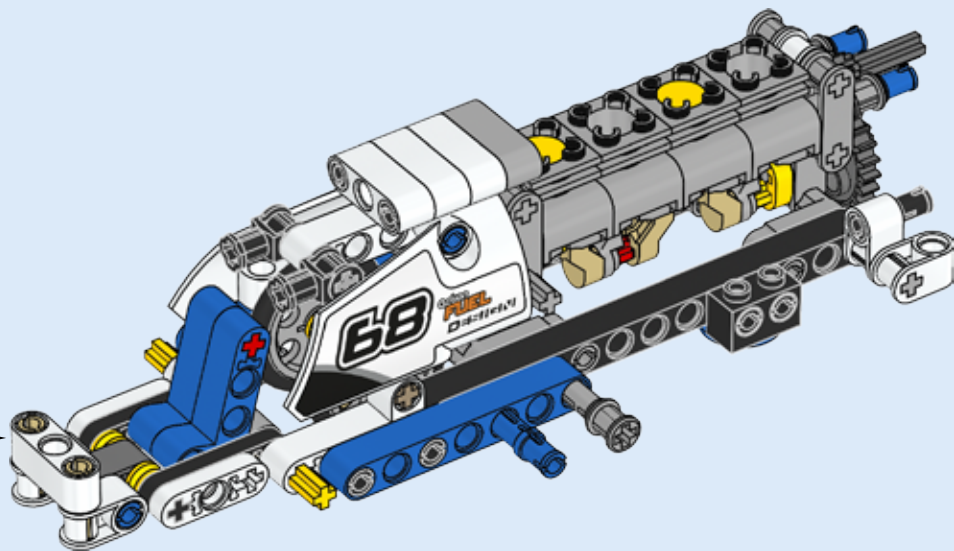


2x

# 45



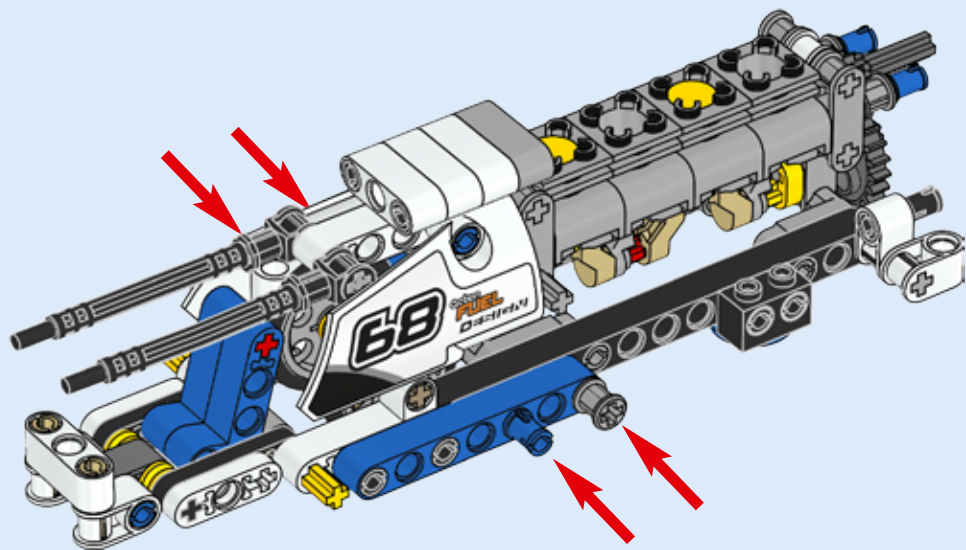
46



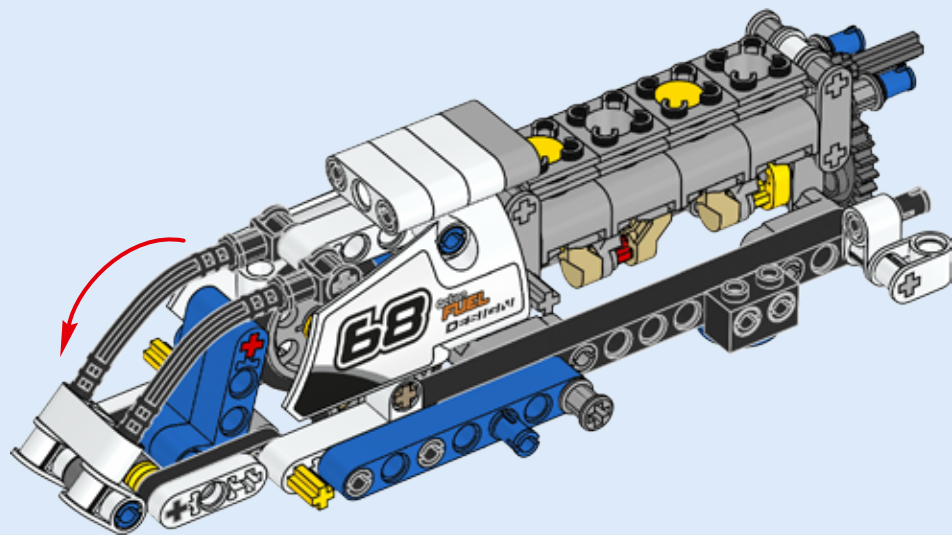


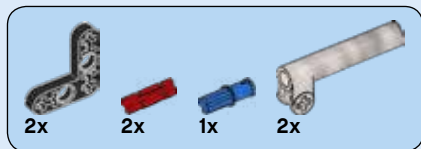
2x

47

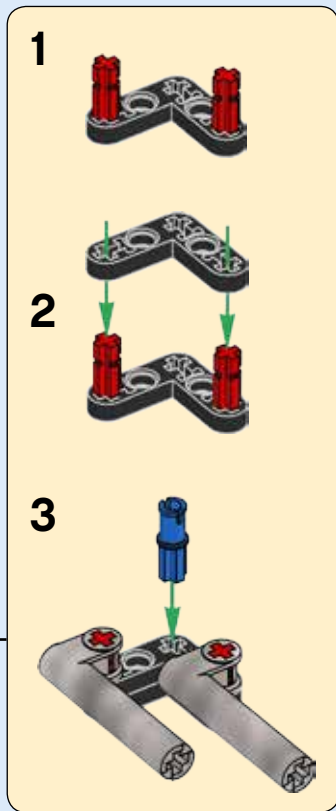
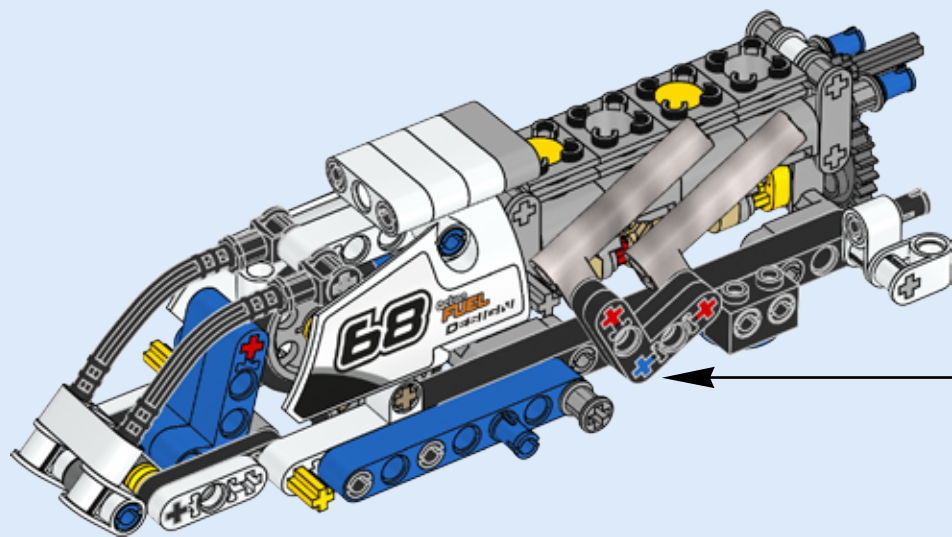


48

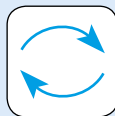
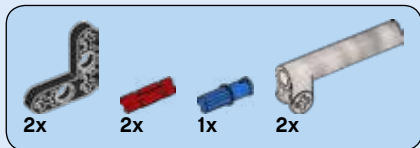




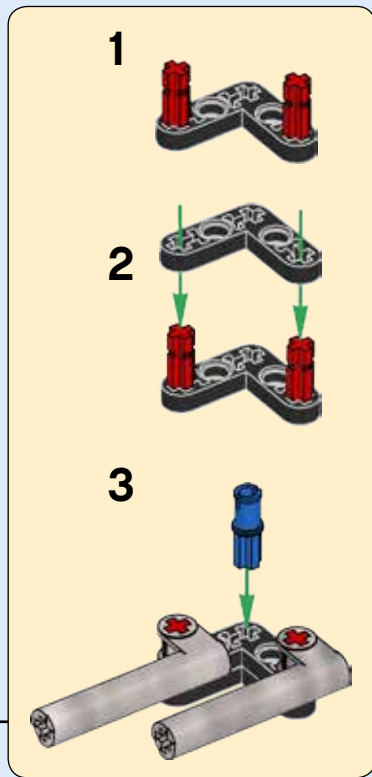
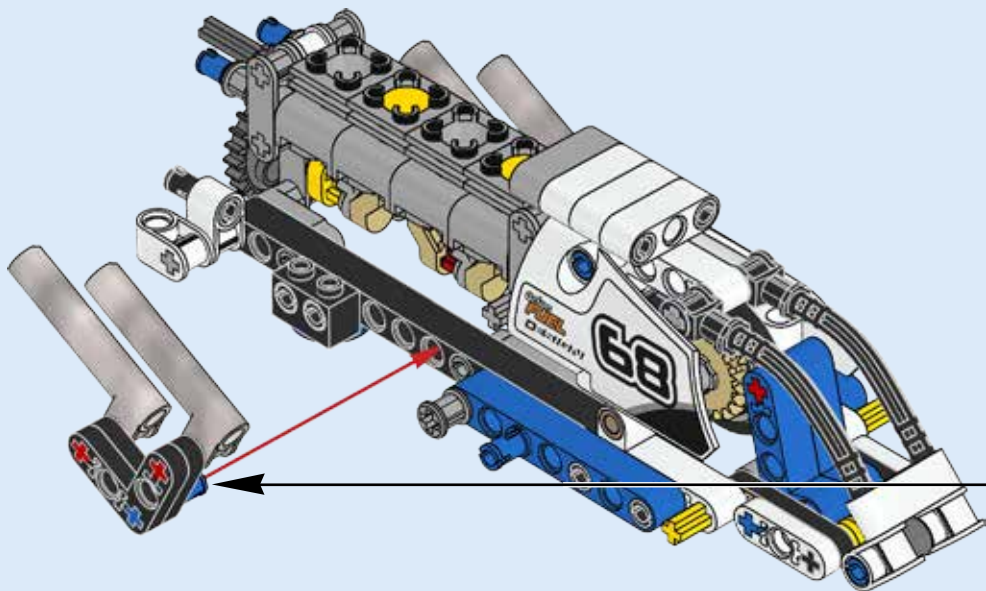
# 49

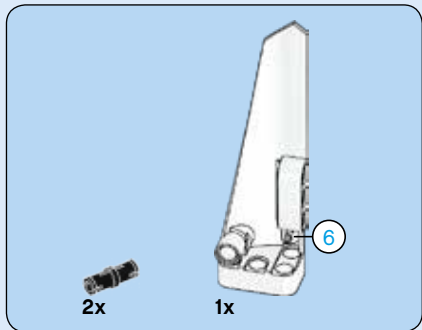




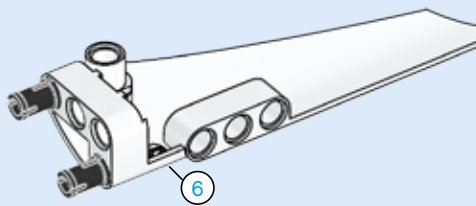


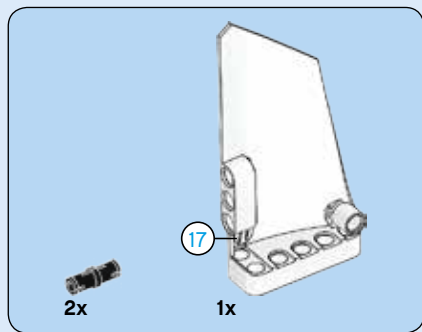
# 50



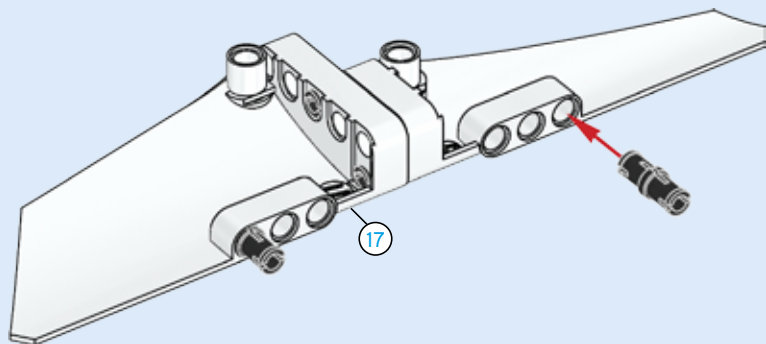


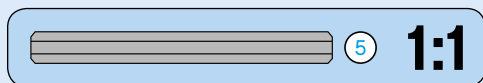
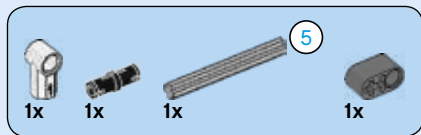
51



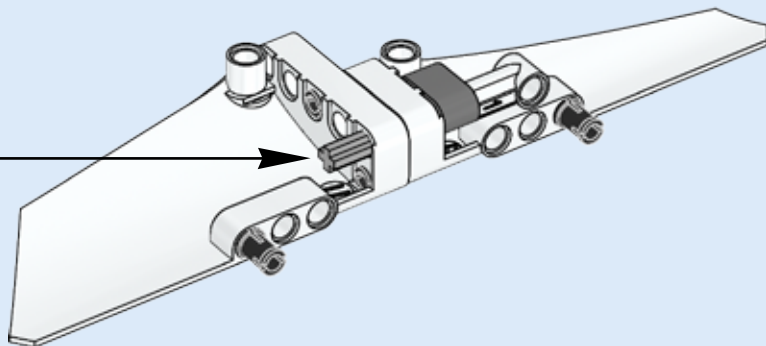
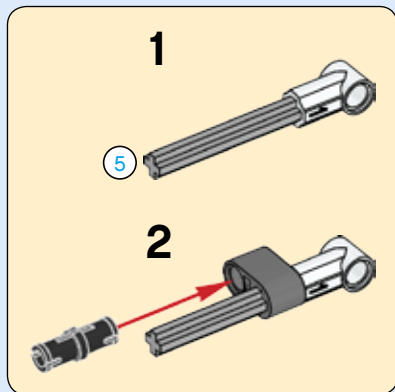


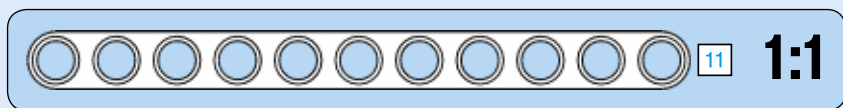
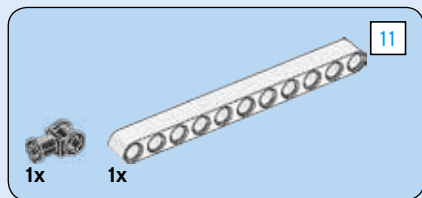
52



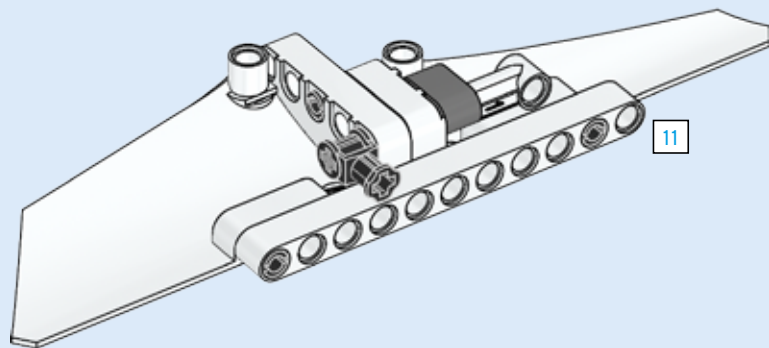


# 53

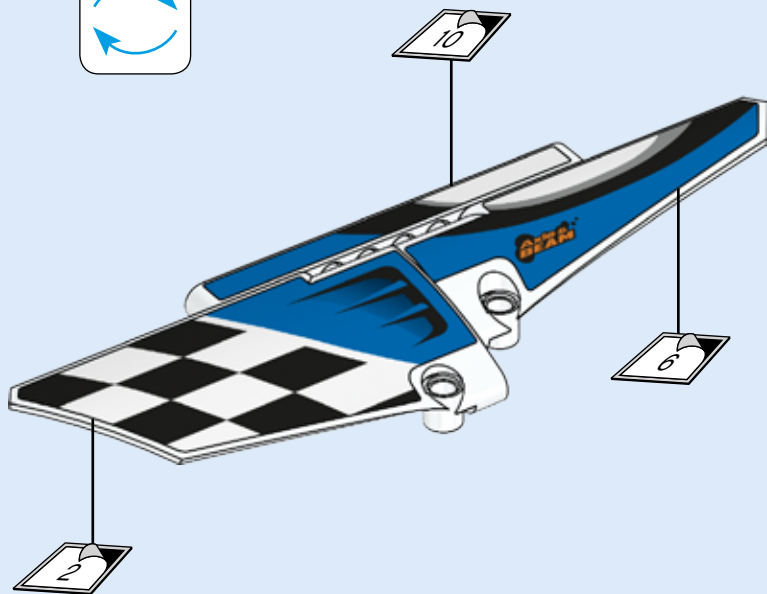
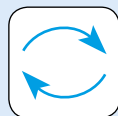




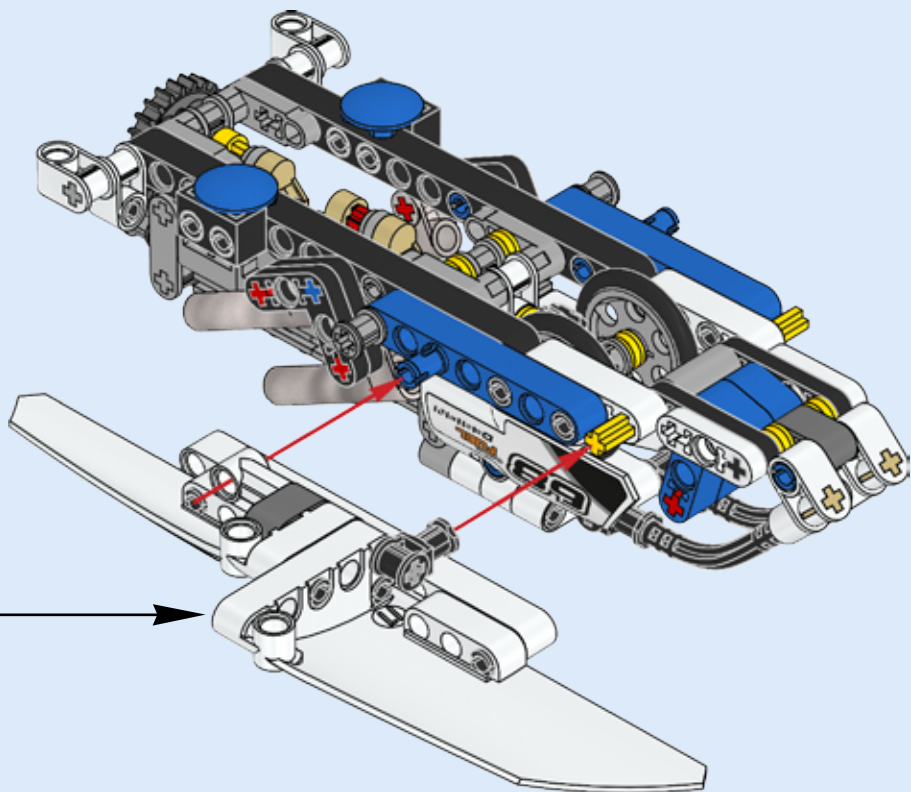
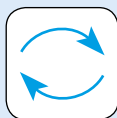
54

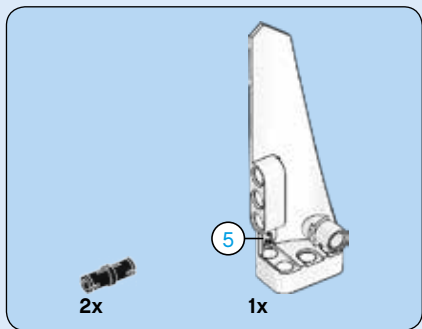


55

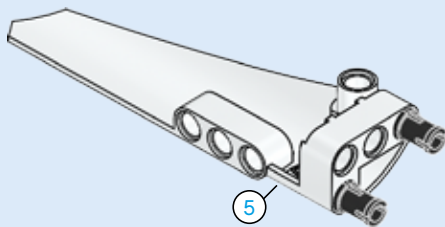


56

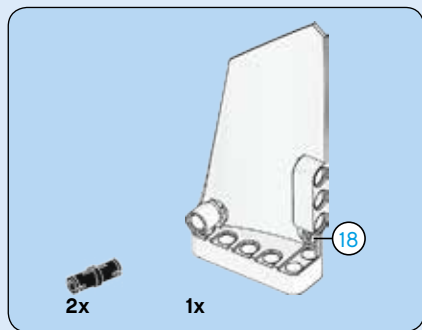




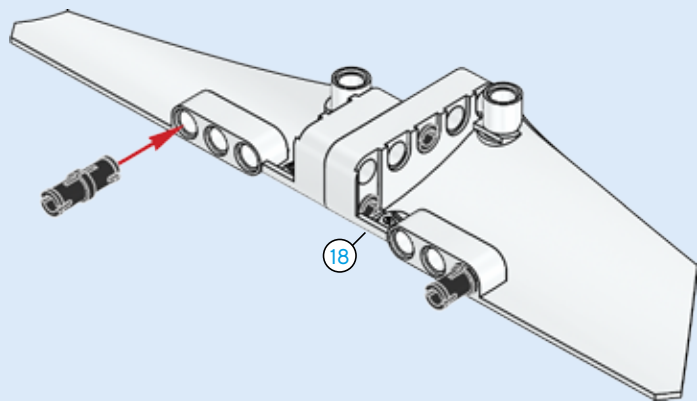
57

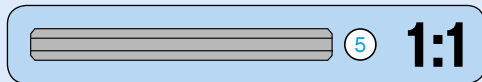
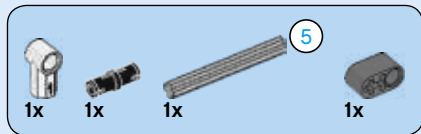




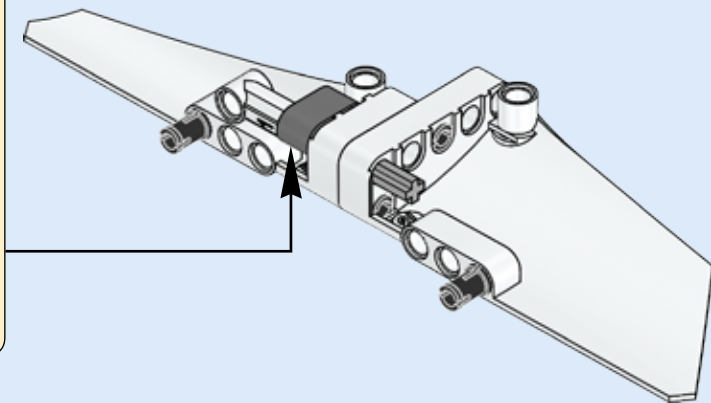
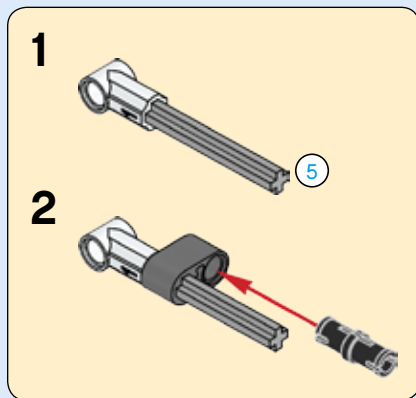


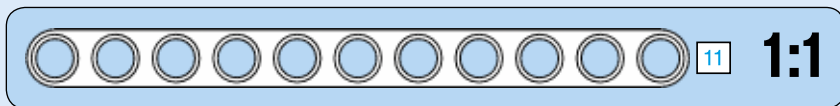
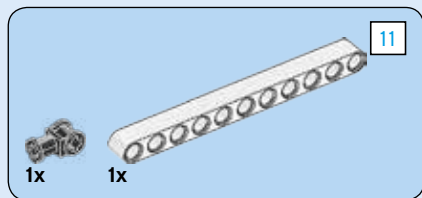
58



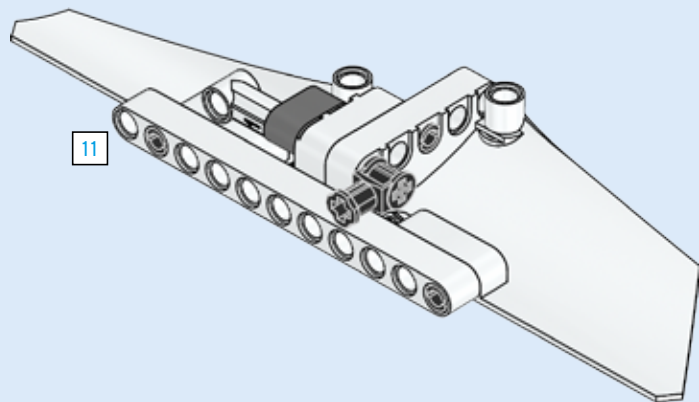


# 59

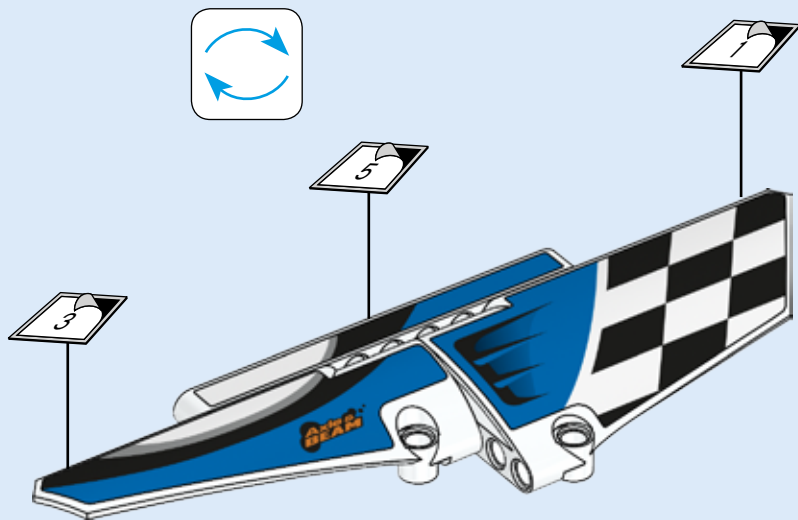




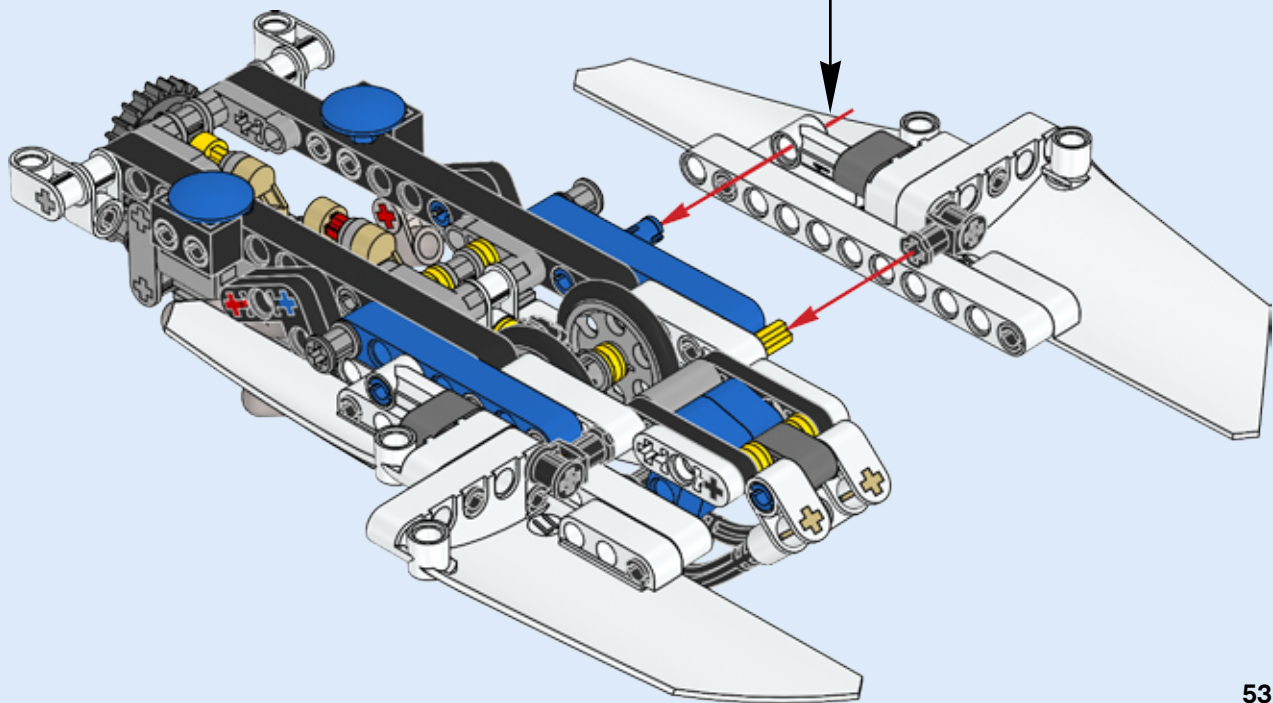
60



61

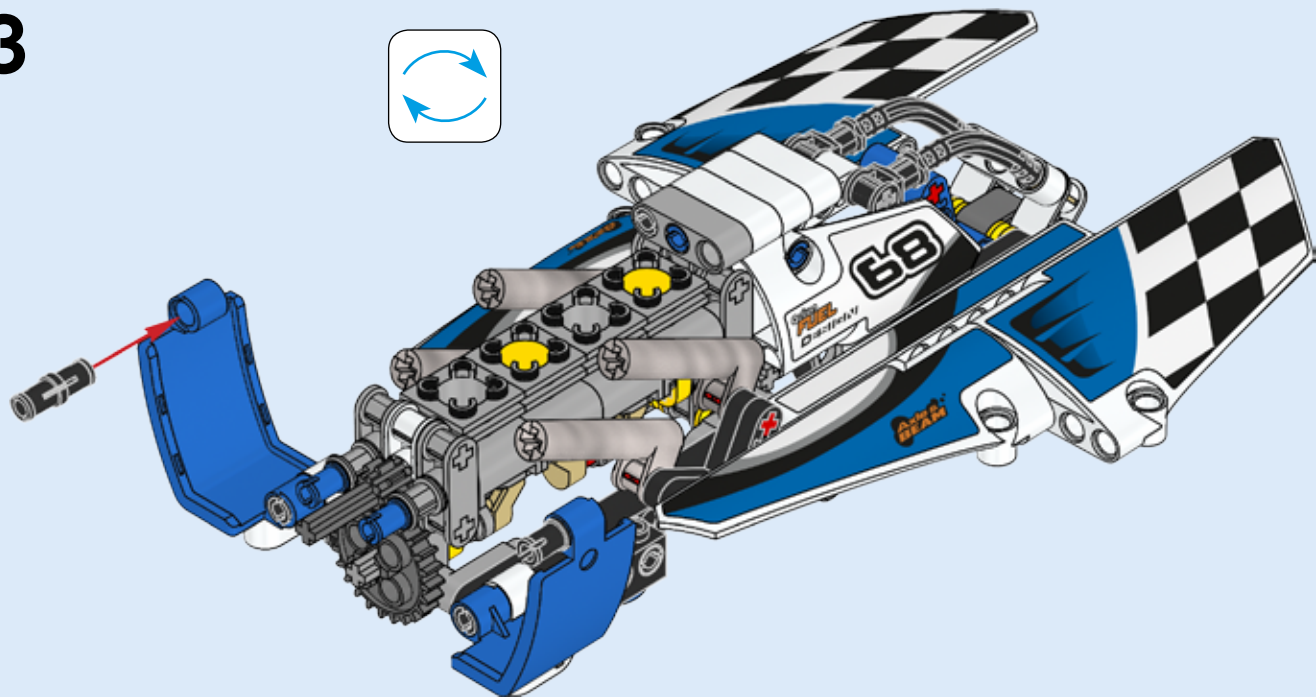
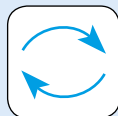


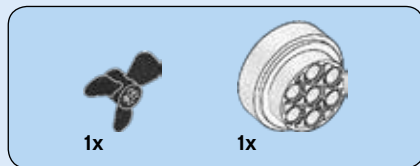
62



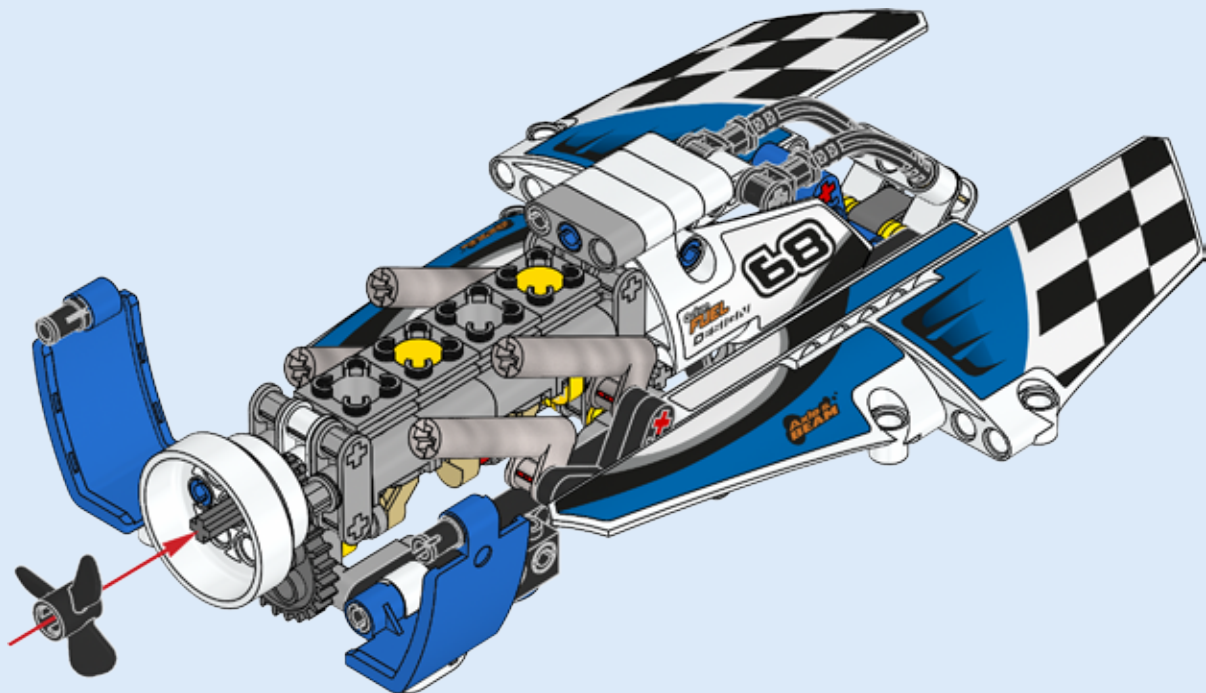


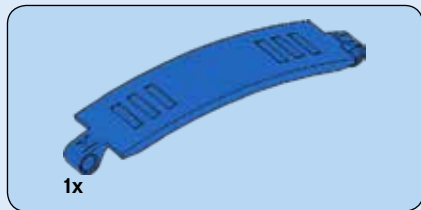
63



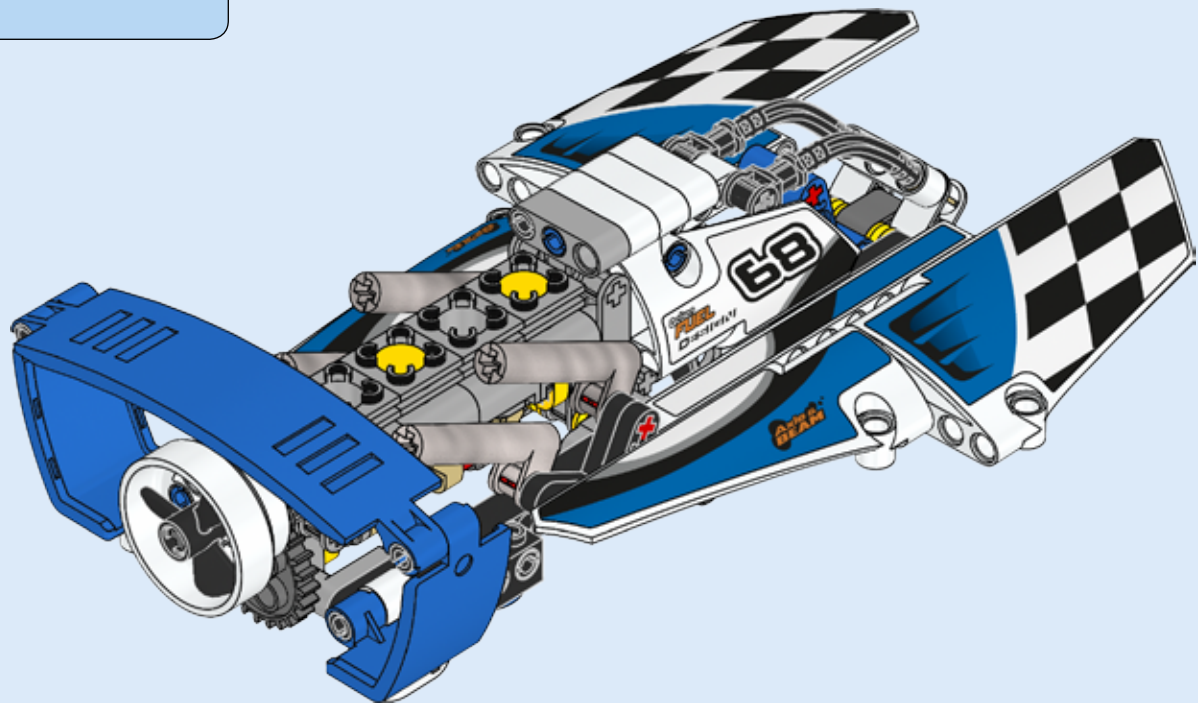


64



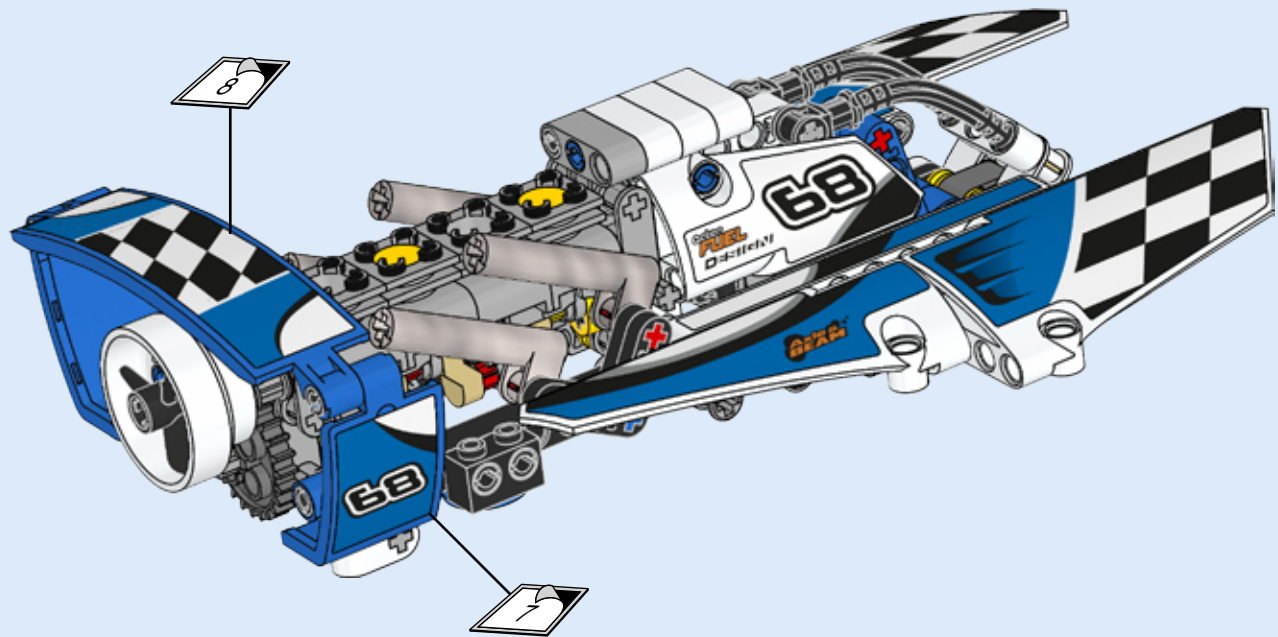


65

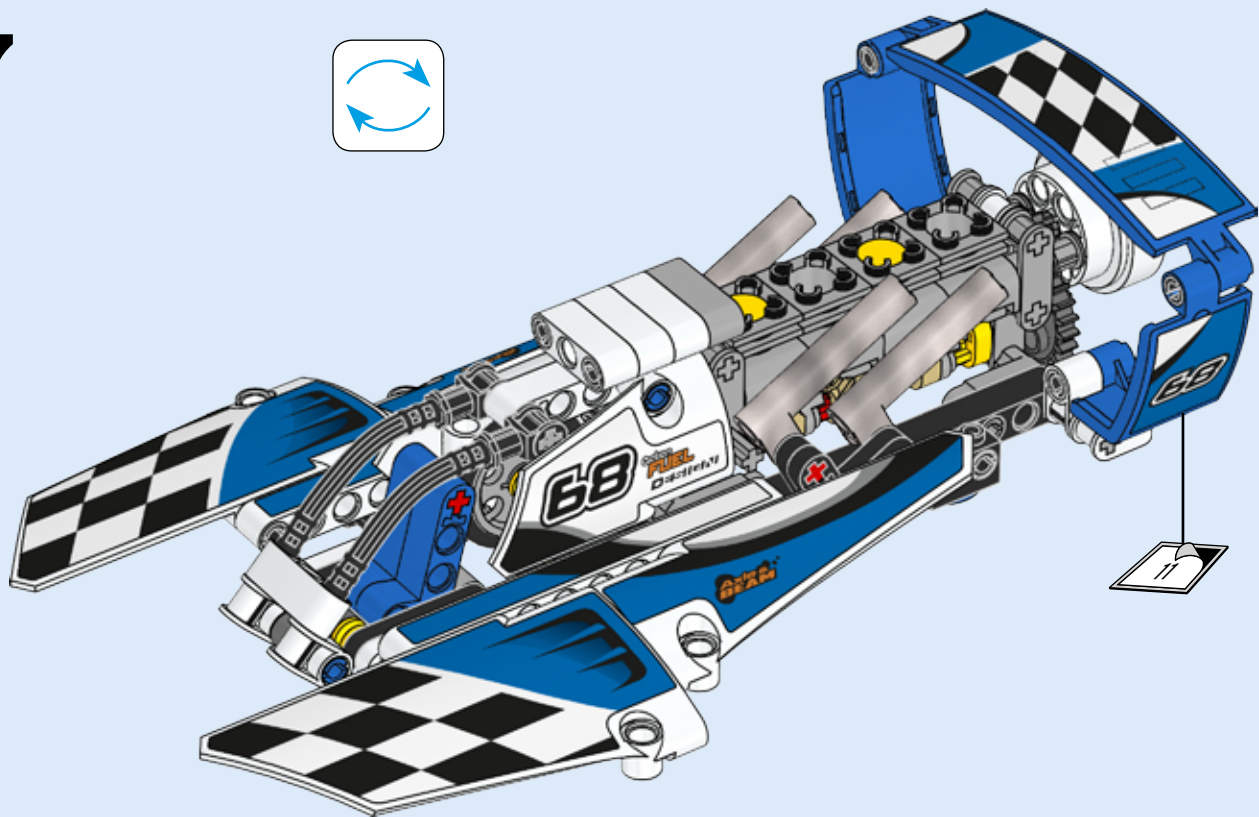
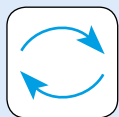


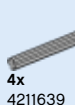
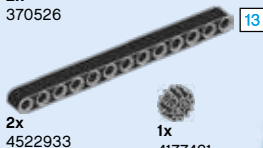
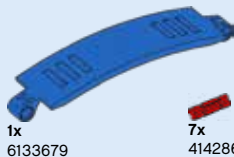
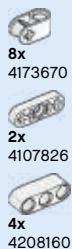
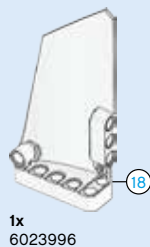


66



67





Customer Service

Kundenservice

Service Consommateurs

Servicio Al Consumidor

LEGO.com/service or dial



: 00800 5346 5555

: 1-800-422-5346



LEGO®  
Building  
Instructions



42044



42048



42049

Google Play is a trademark of Google Inc.  
Google Play est une marque de commerce de Google Inc.  
Google Play es una marca comercial de Google Inc.

Apple, the Apple logo, iPad, iPhone and iPod touch are trademarks of Apple Inc.  
Apple, le logo Apple, iPad, iPhone et iPod touch sont des marques de commerce d'Apple Inc.  
Apple, el logotipo de Apple, iPad, iPhone e iPod touch son marcas comerciales de Apple Inc.



LEGO and the LEGO logo are trademarks of the/son des marques de commerce du/son  
marcas registradas de LEGO Group. ©2016 The LEGO Group. 6143803 / 6143804